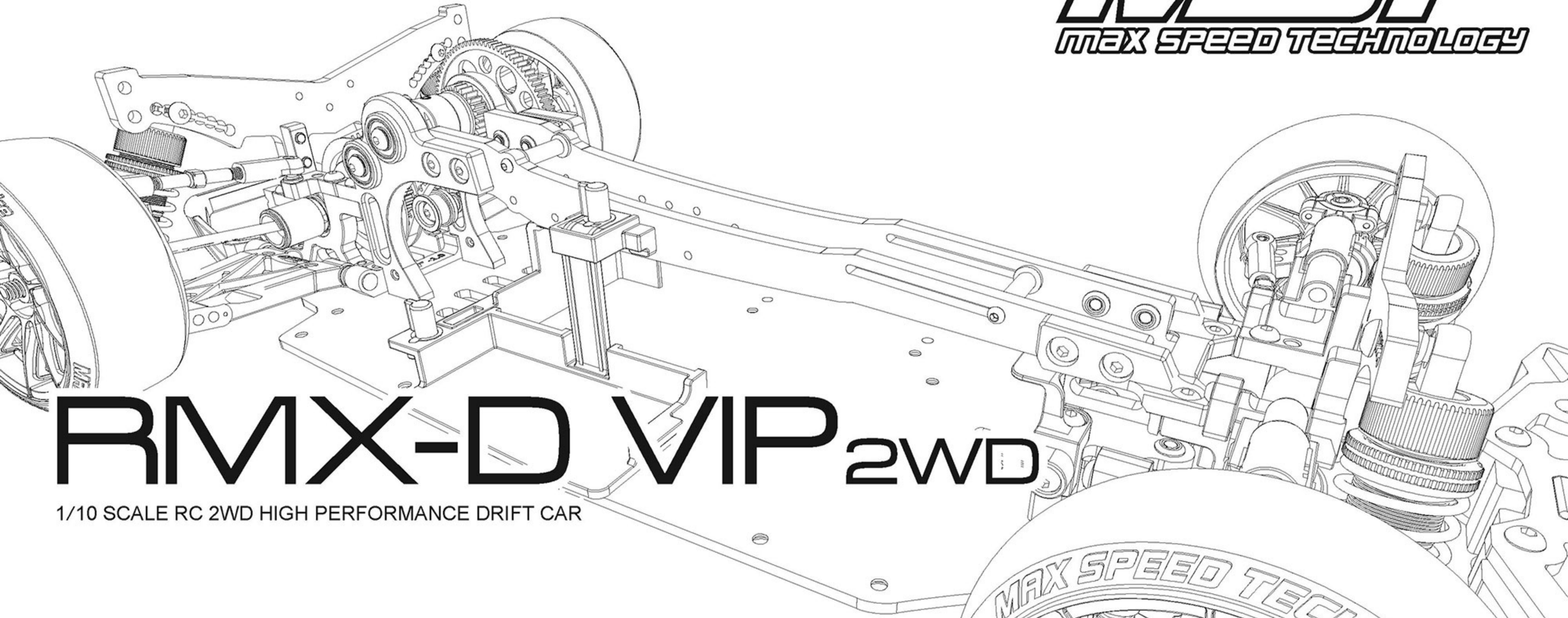


MST
MAX SPEED TECHNOLOGY



RMX-D VIP 2WD

1/10 SCALE RC 2WD HIGH PERFORMANCE DRIFT CAR

EXPLODED MANUAL

ON ROAD USE ONLY
FULL BALL BEARINGS

WHEELBASE : STANDARD 257mm (adjustable)
WIDTH : STANDARD 190mm (adjustable)
GEAR RATIO : 3.08 (37T/12T)
CASTER : 8, 12, 16 degrees variableness
CAMBER : 0 to -12 degrees

www.rc-mst.com

※SPECIFICATION ARE SUBJECT TO CHANGE WITHOUT NOTICE

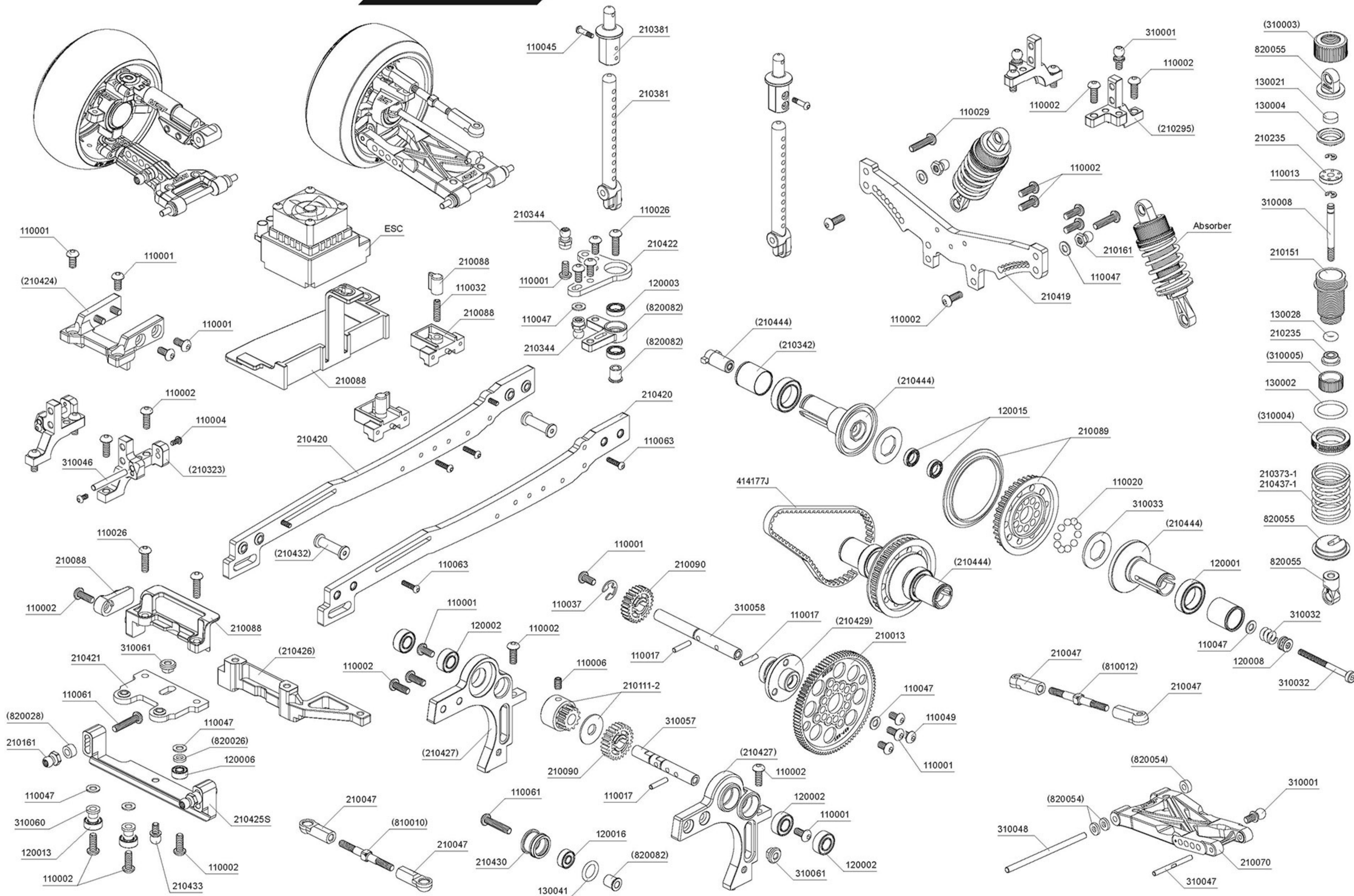
RMX-D VIP 2WD

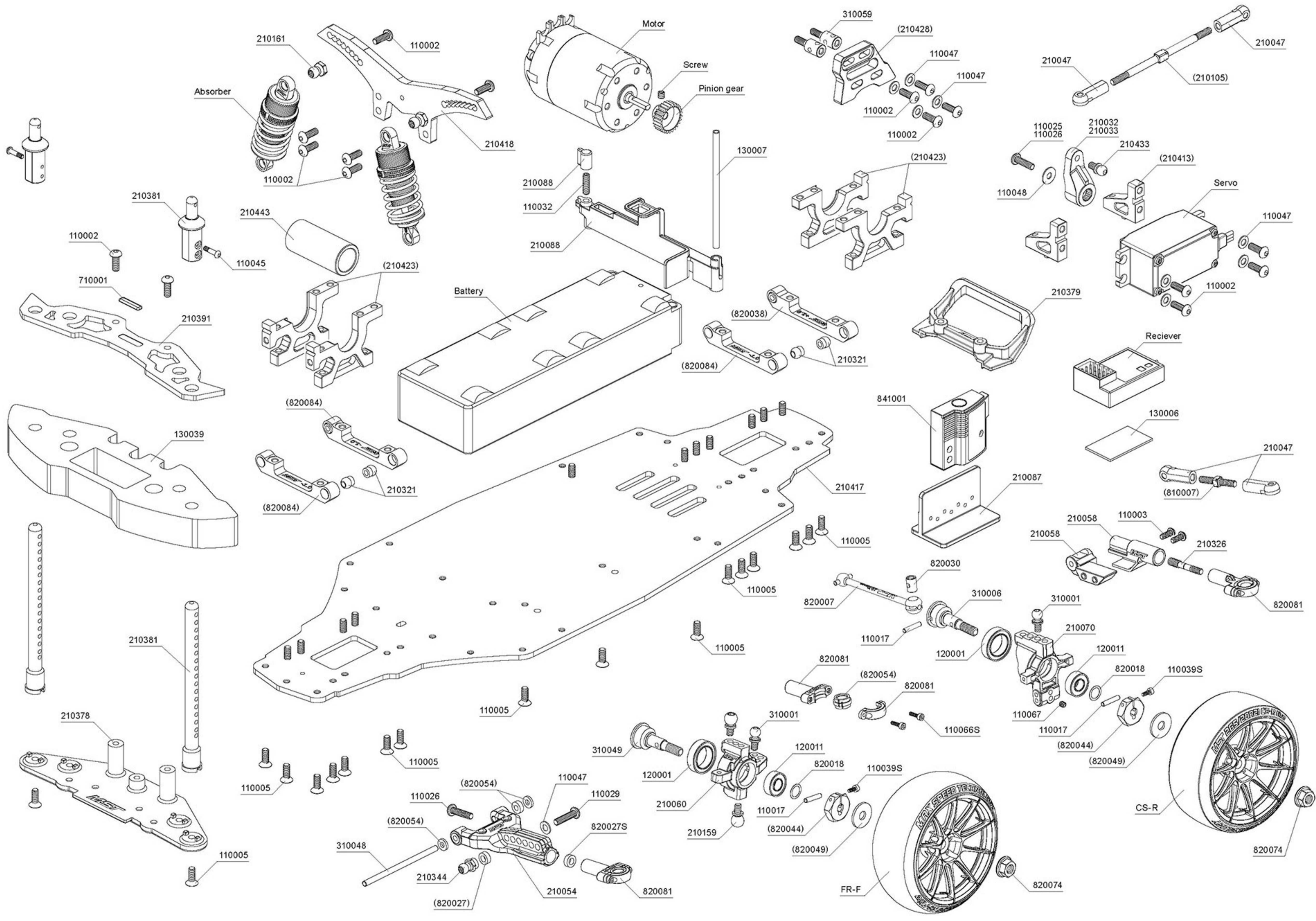
1/10 SCALE RC 2WD HIGH PERFORMANCE DRIFT CAR

EXPLODED VIEW

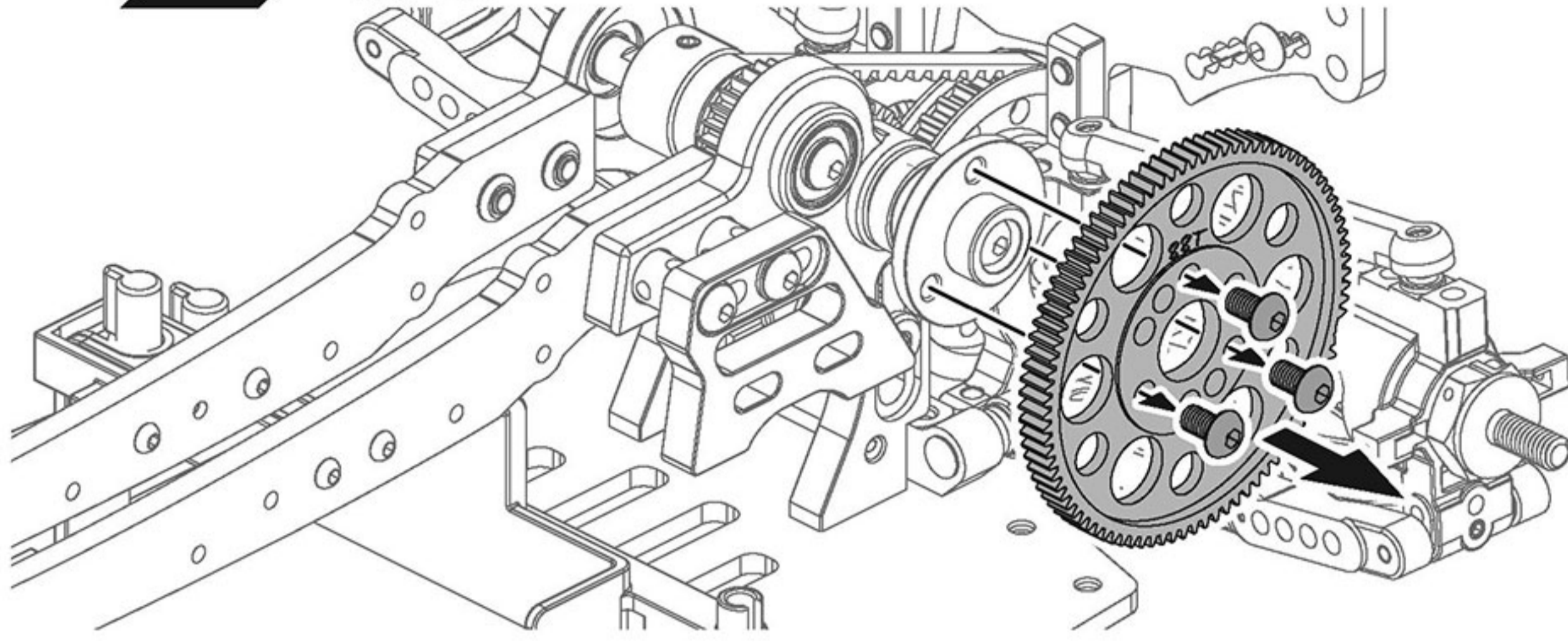
Please add color remark for () part number.
 e.g. 210123P for Purple (210123)
 請增加顏色標示在 () 編號
 例: 210123P for 紫色 (210123)

Color 顏色	Purple 紫
Remark 標示	P

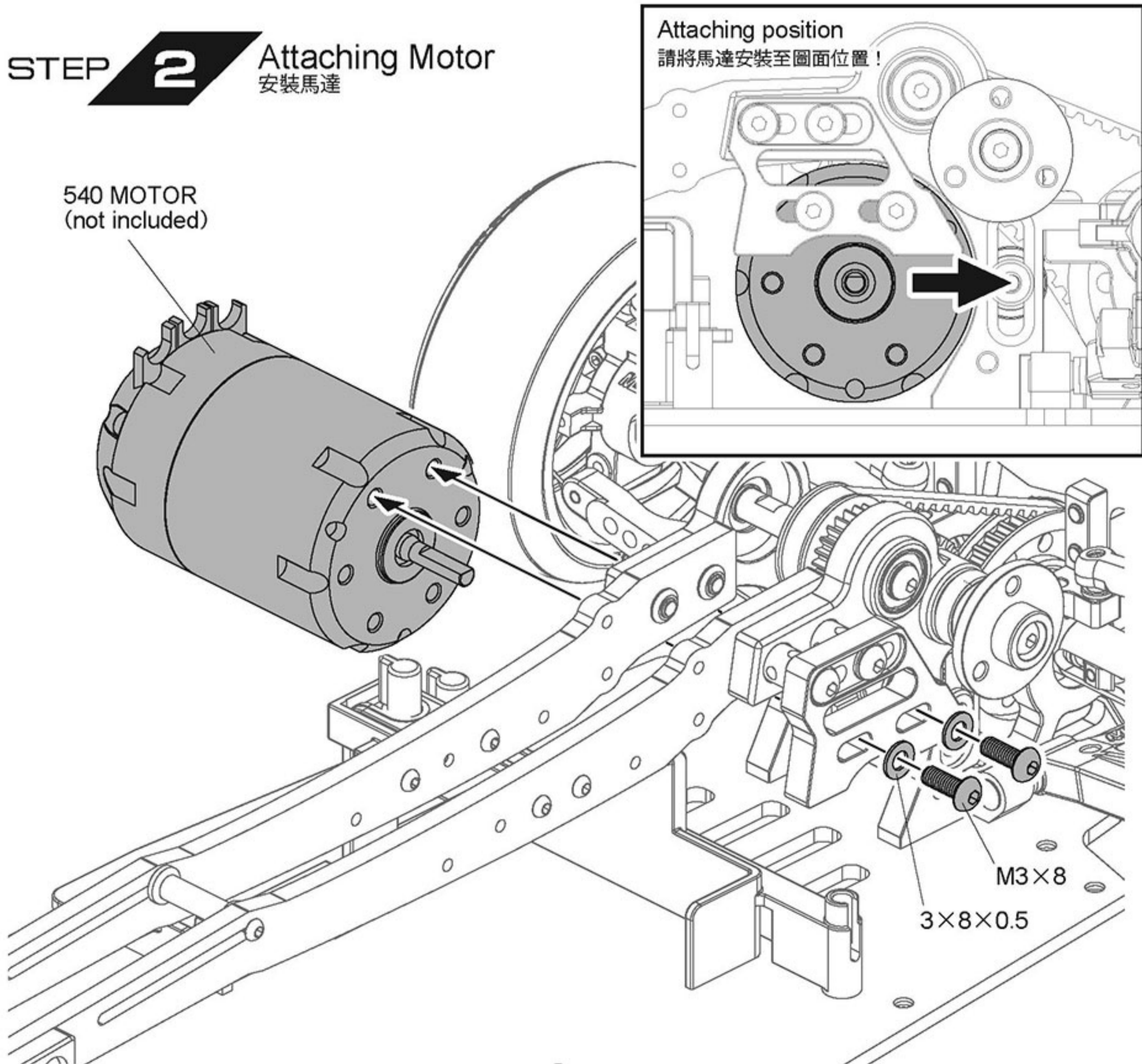




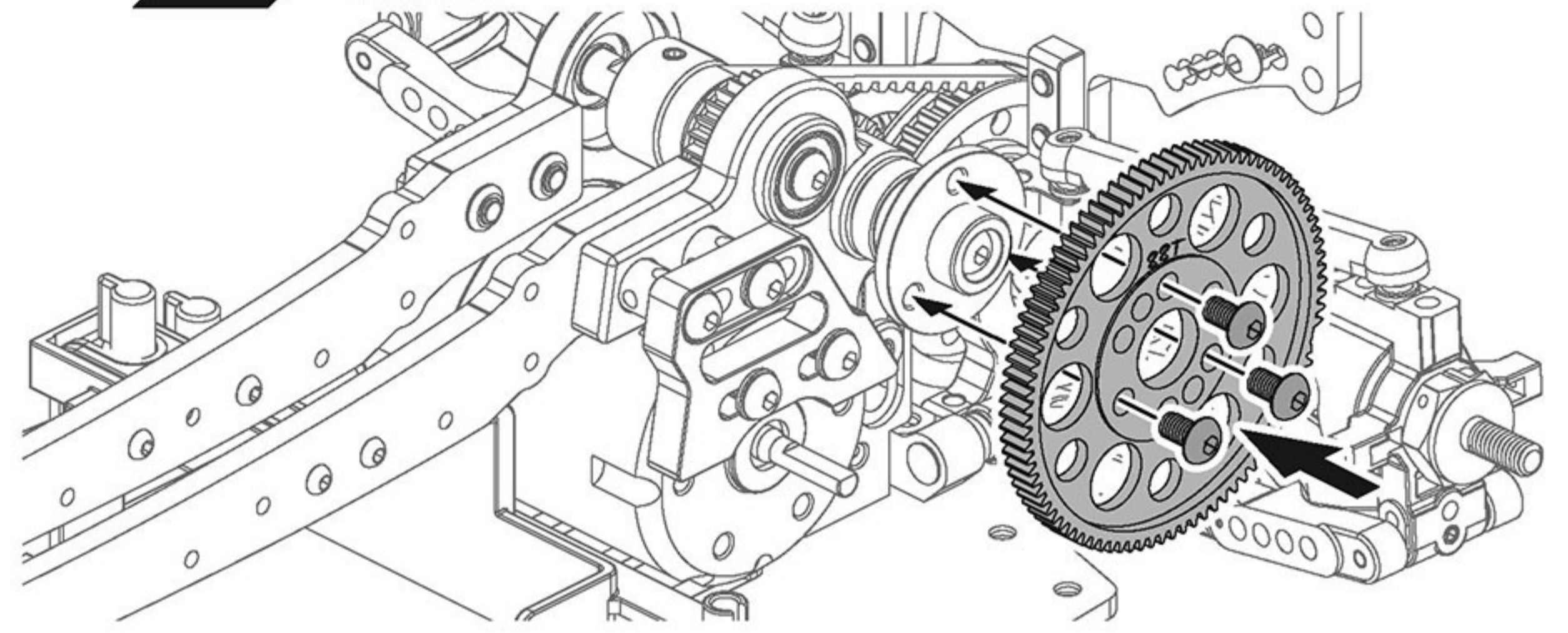
STEP 1 Remove Spur Gear
移除大齒盤



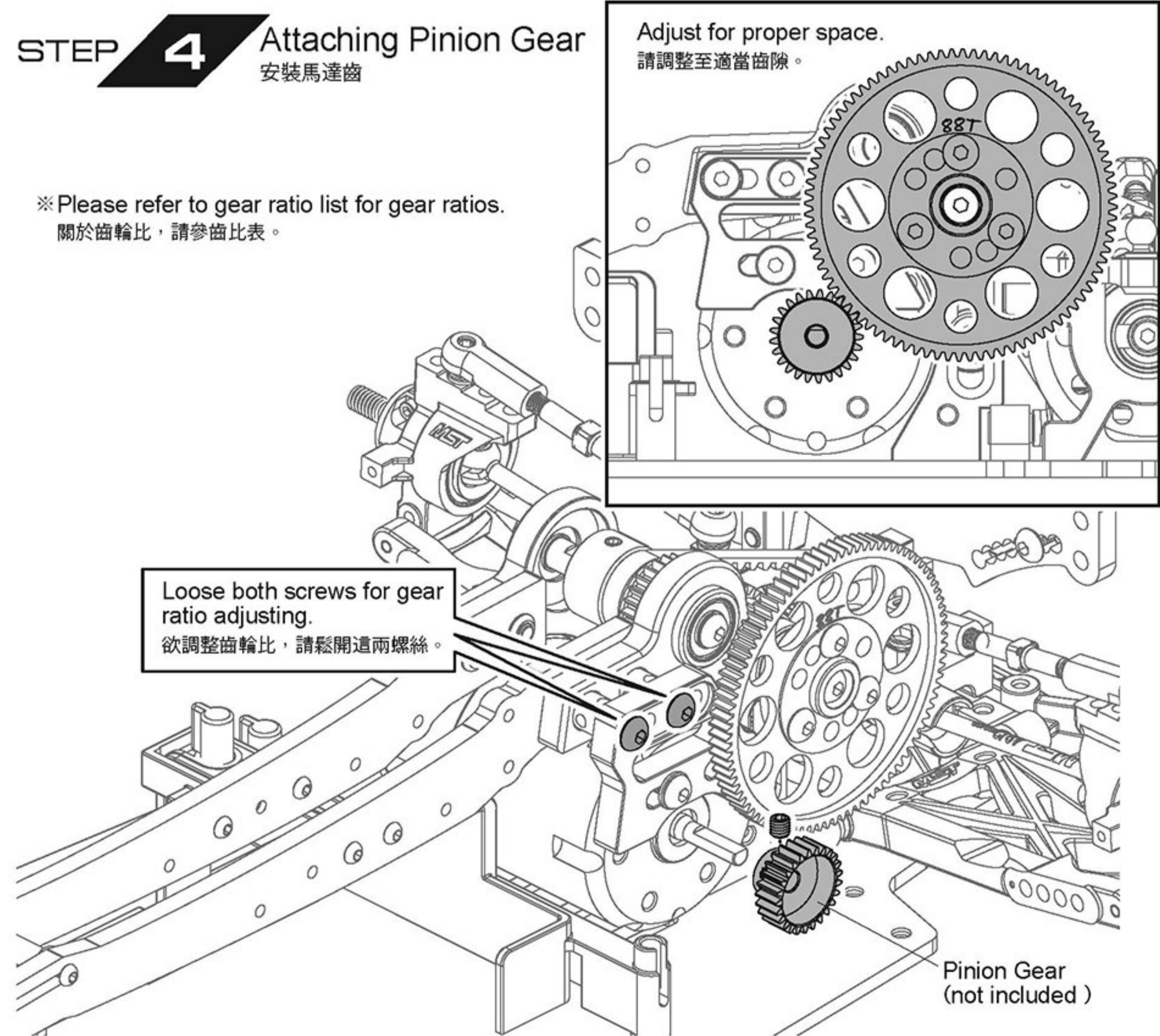
STEP 2 Attaching Motor
安裝馬達



STEP 3 Attaching Spur Gear
安裝大齒盤

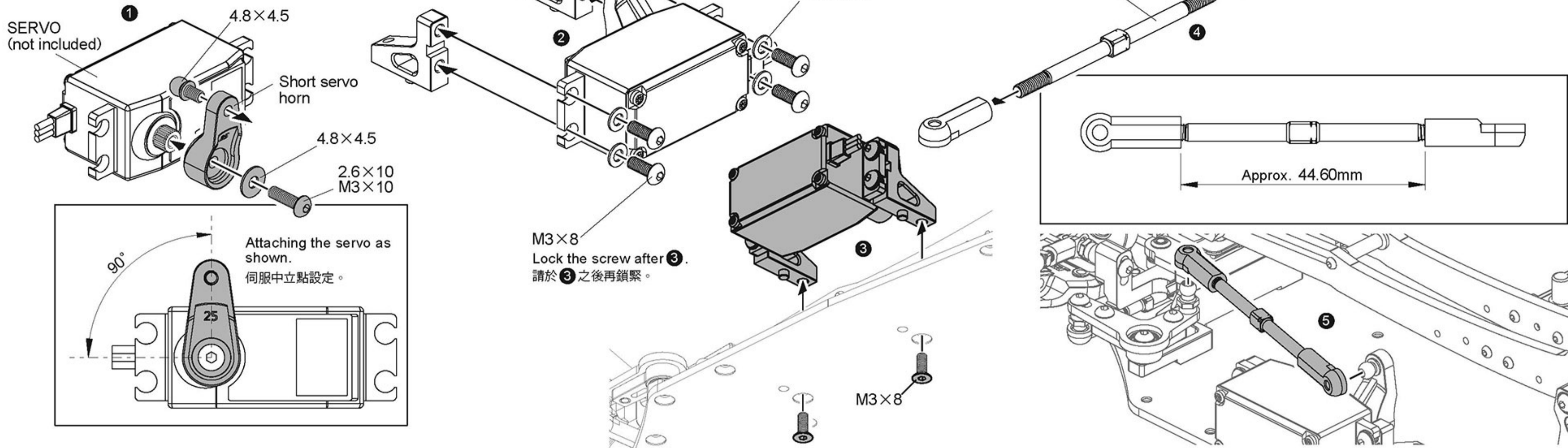


STEP 4 Attaching Pinion Gear
安裝馬達齒

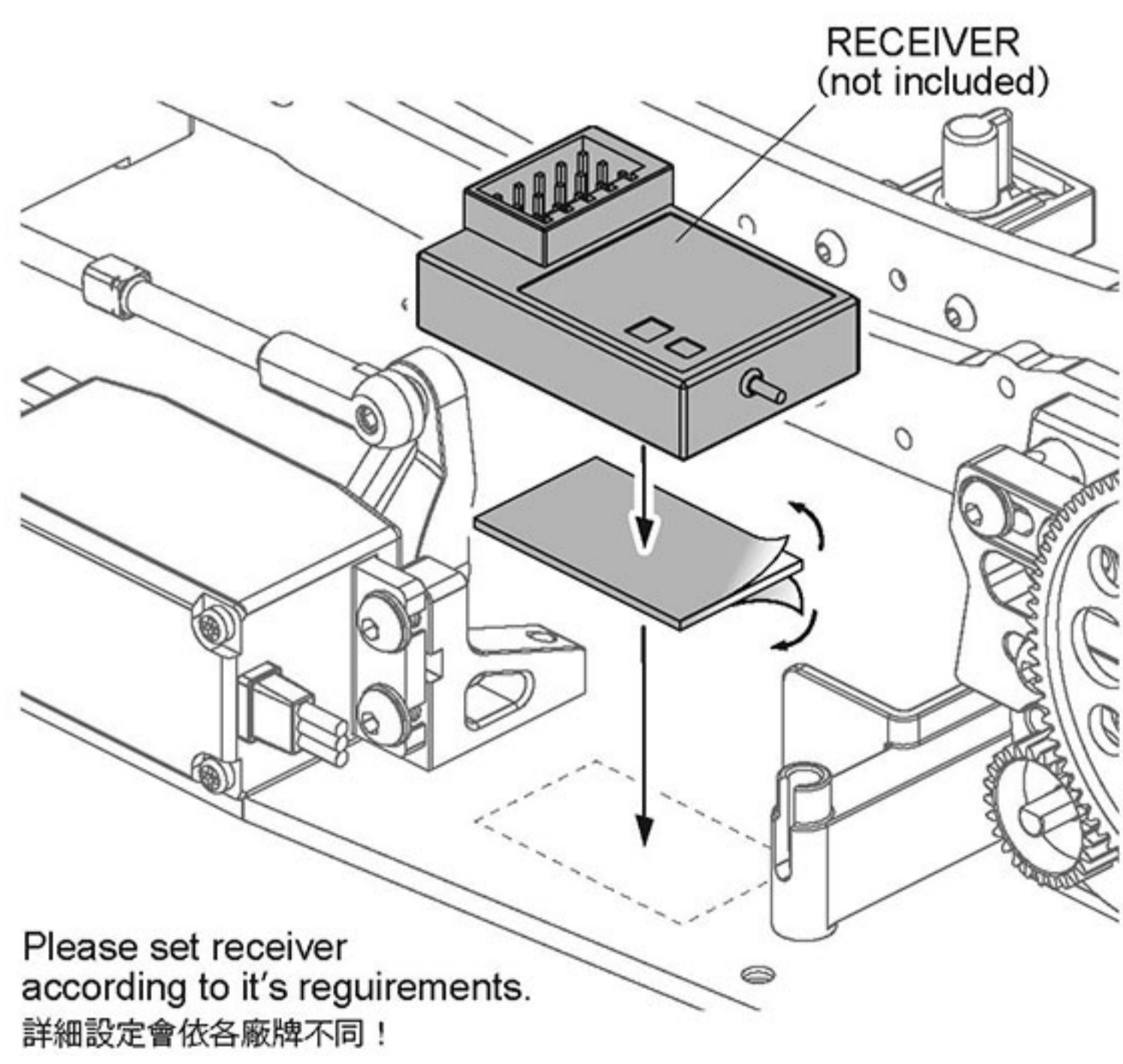


※ Please refer to gear ratio list for gear ratios.
關於齒輪比，請參齒比表。

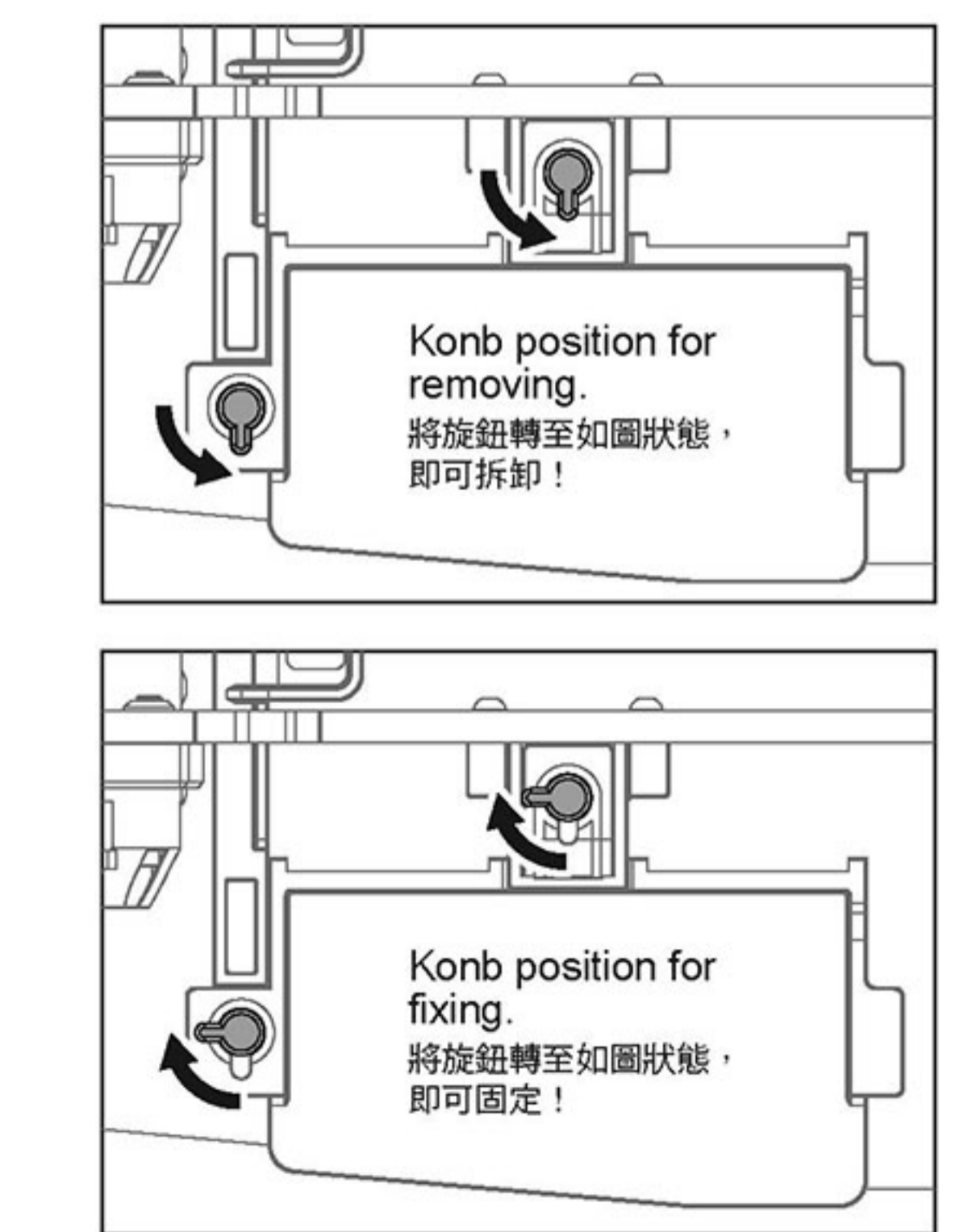
STEP 5 Steering Servo Assembly 轉向伺服組裝



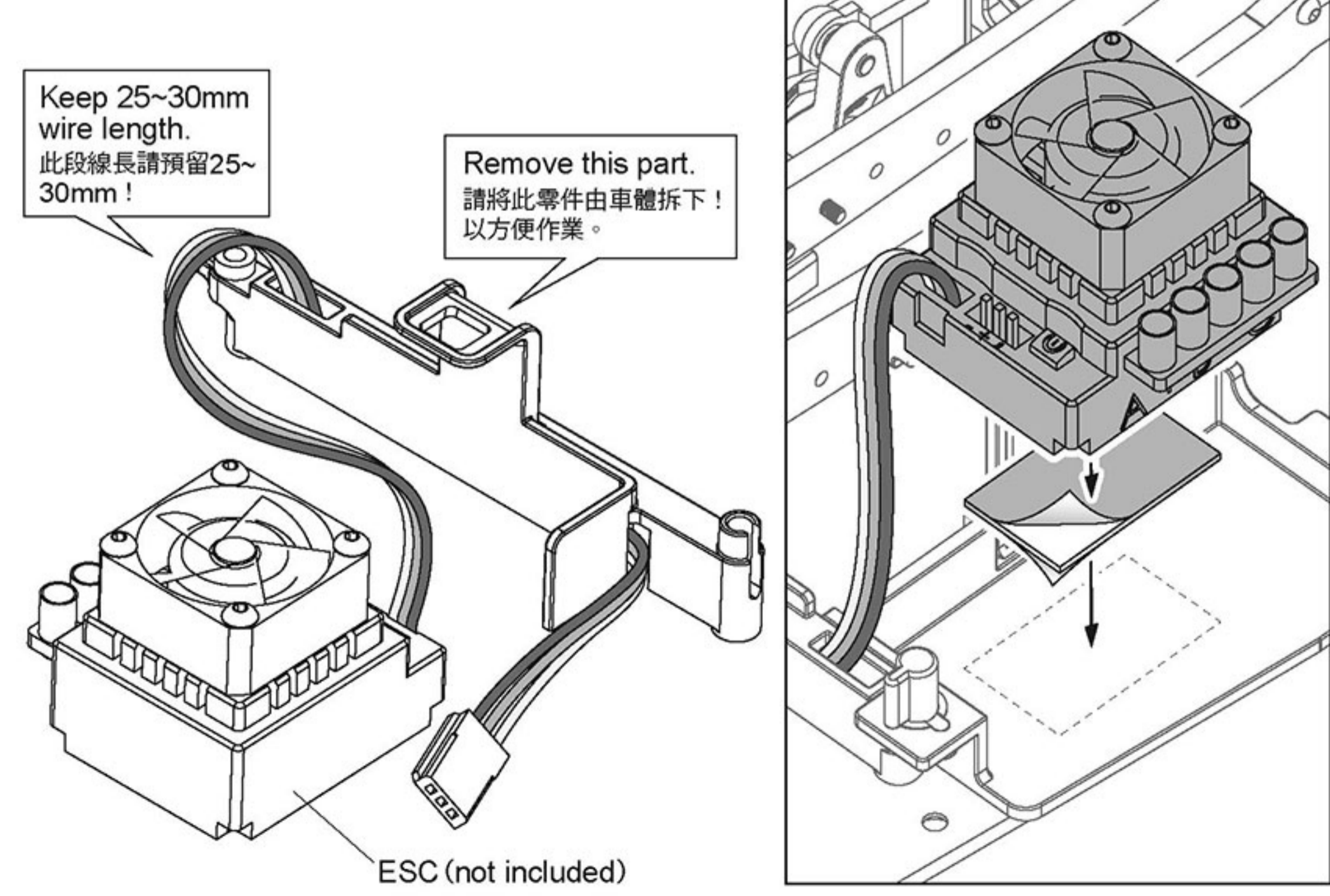
STEP 6 Attaching Receiver 安裝接收器



STEP 7 Attaching ESC Plate 拆裝變電拖盤

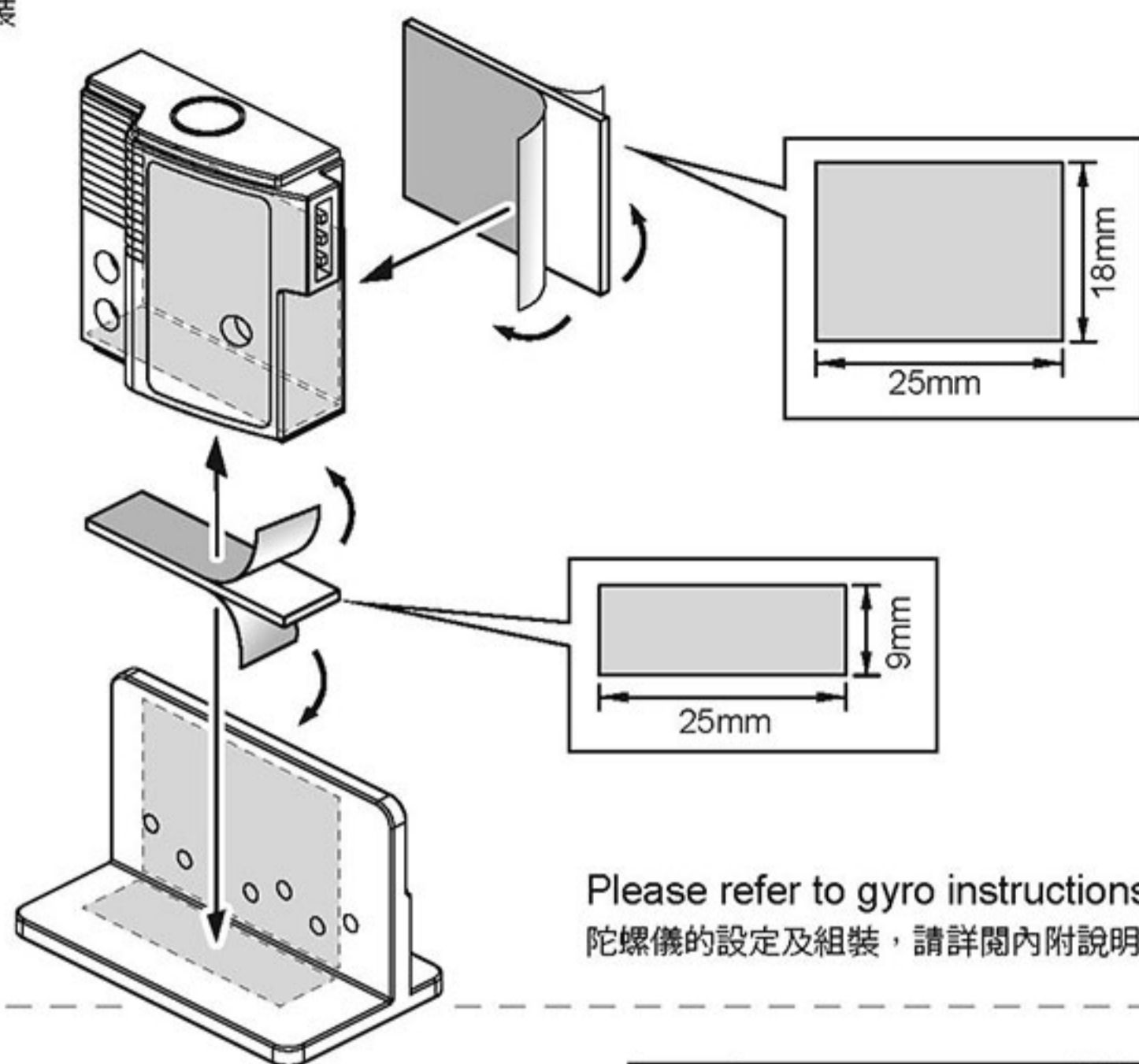


STEP 8 Attaching ESC 拆裝電子變速器



STEP 9 Attaching Gyro 安裝陀螺儀

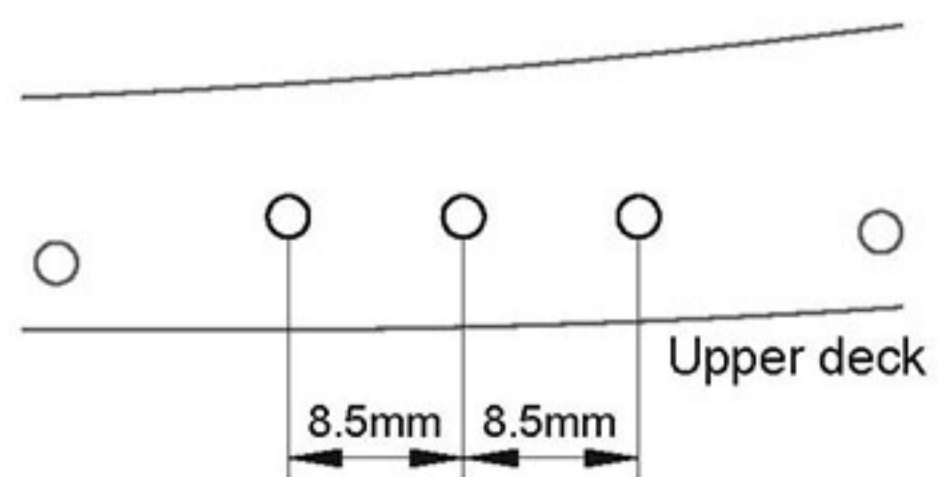
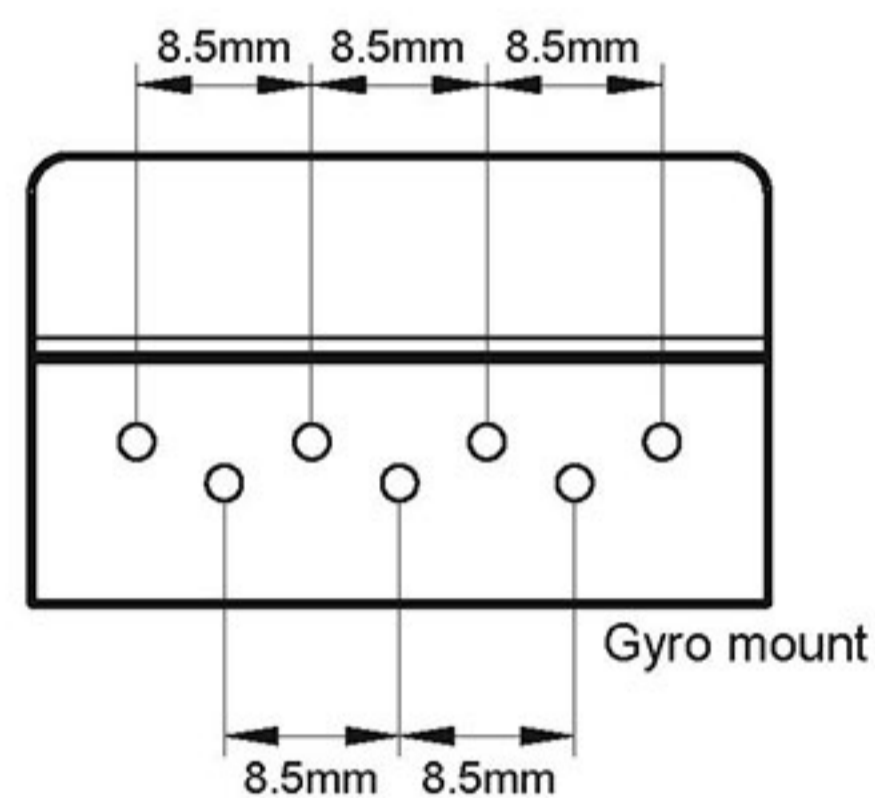
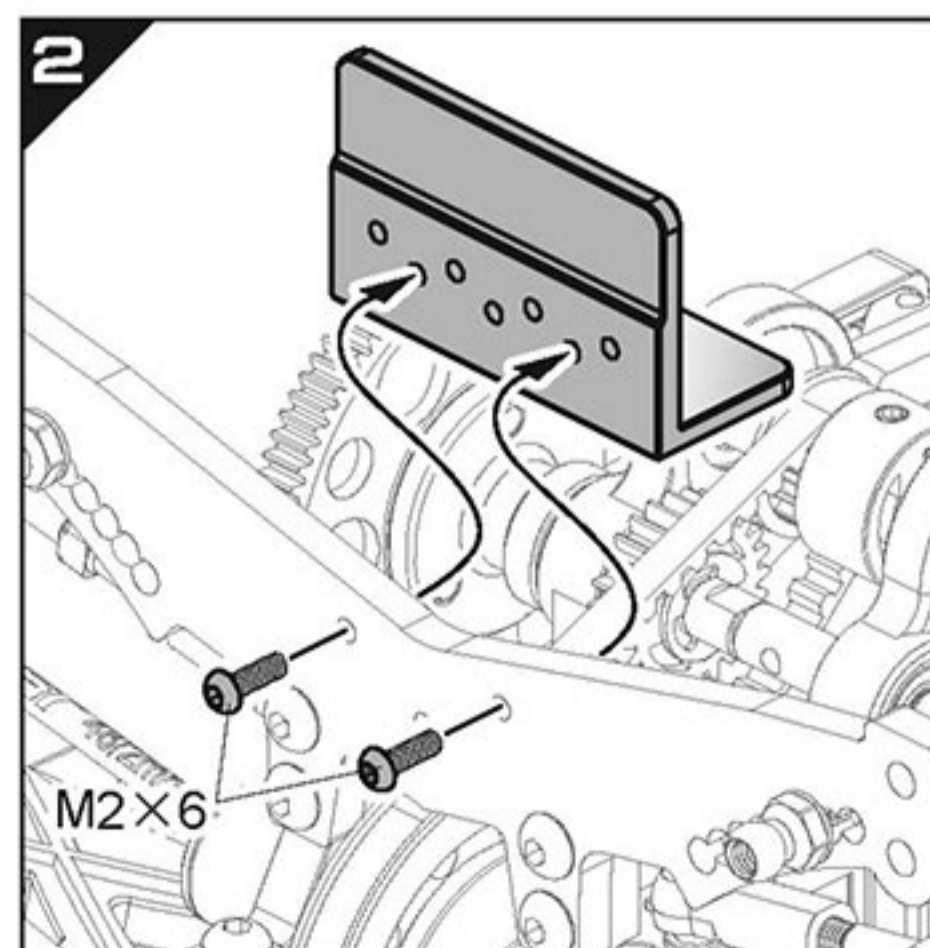
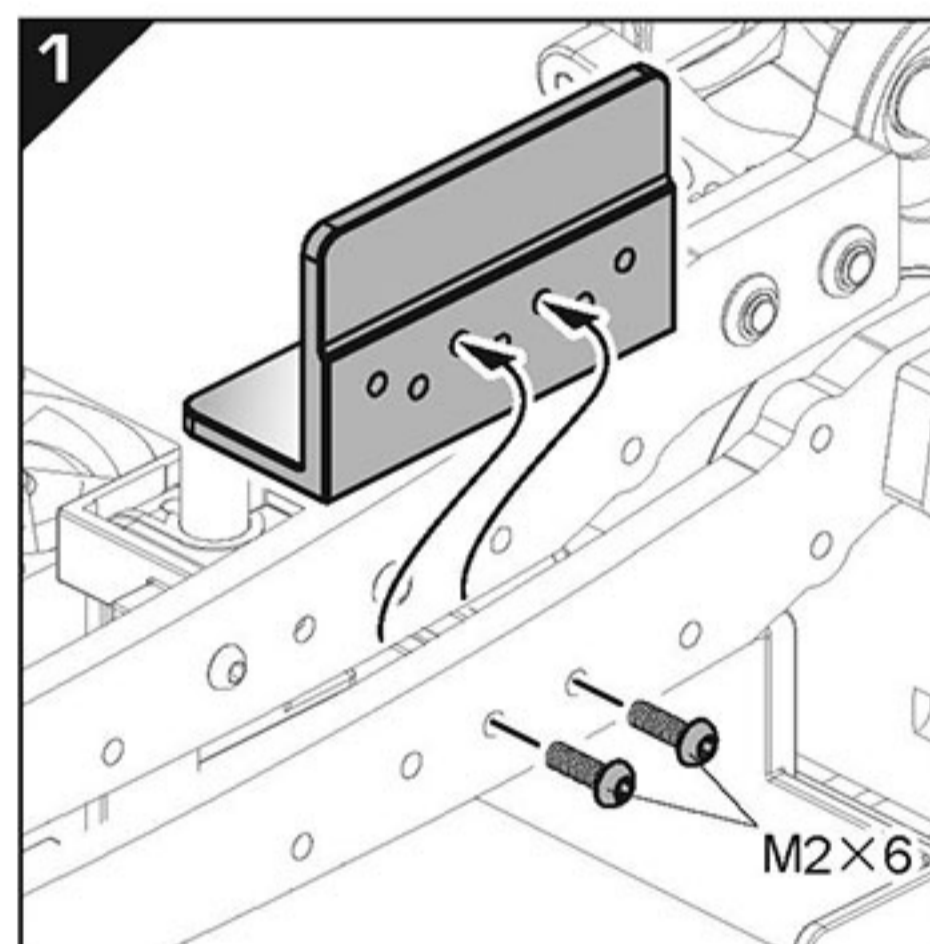
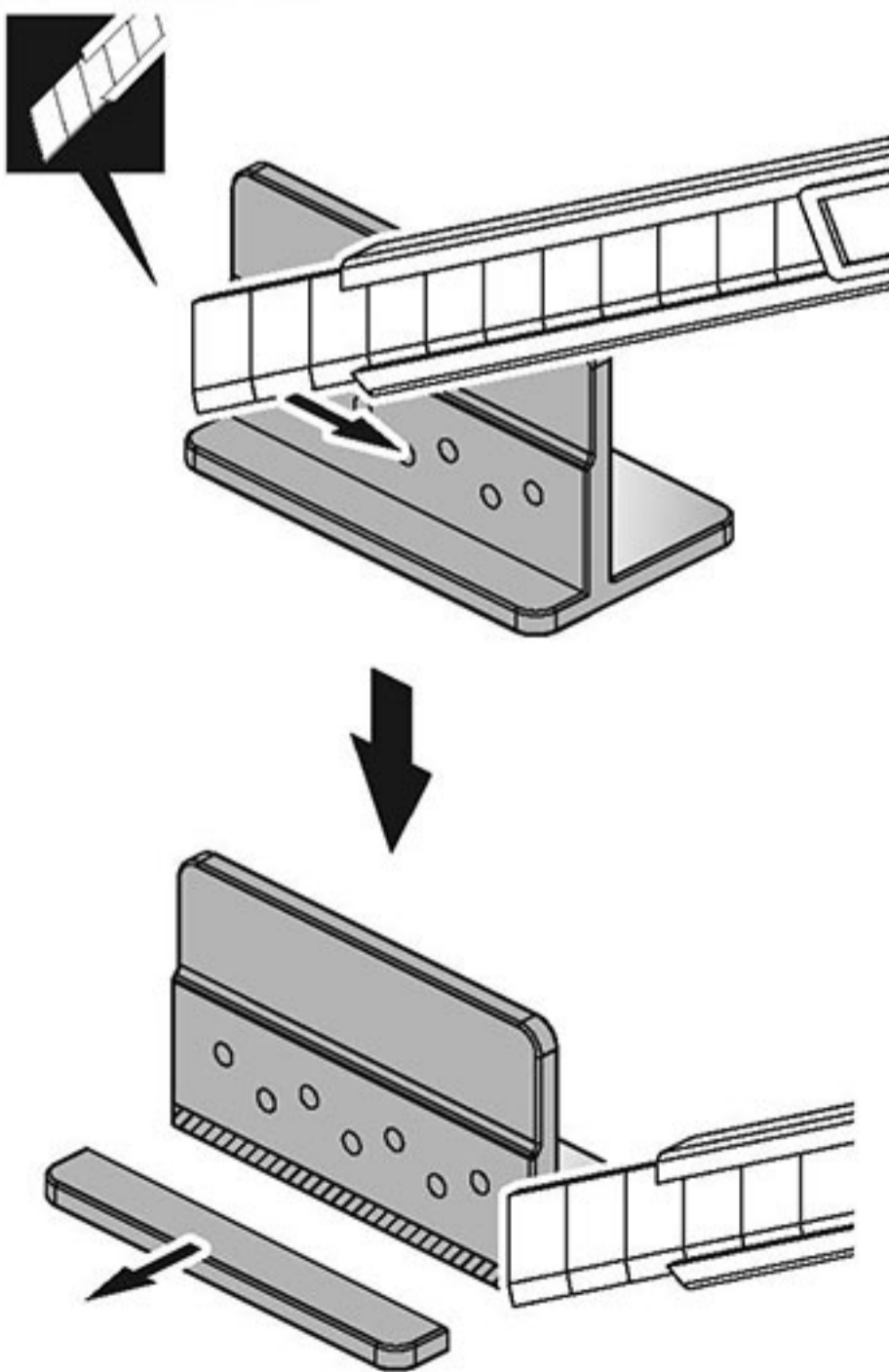
Default assembly
預設安裝



Please refer to gyro instructions for setting and installing.
陀螺儀的設定及組裝，請詳閱內附說明書。

Options
其它安裝方式

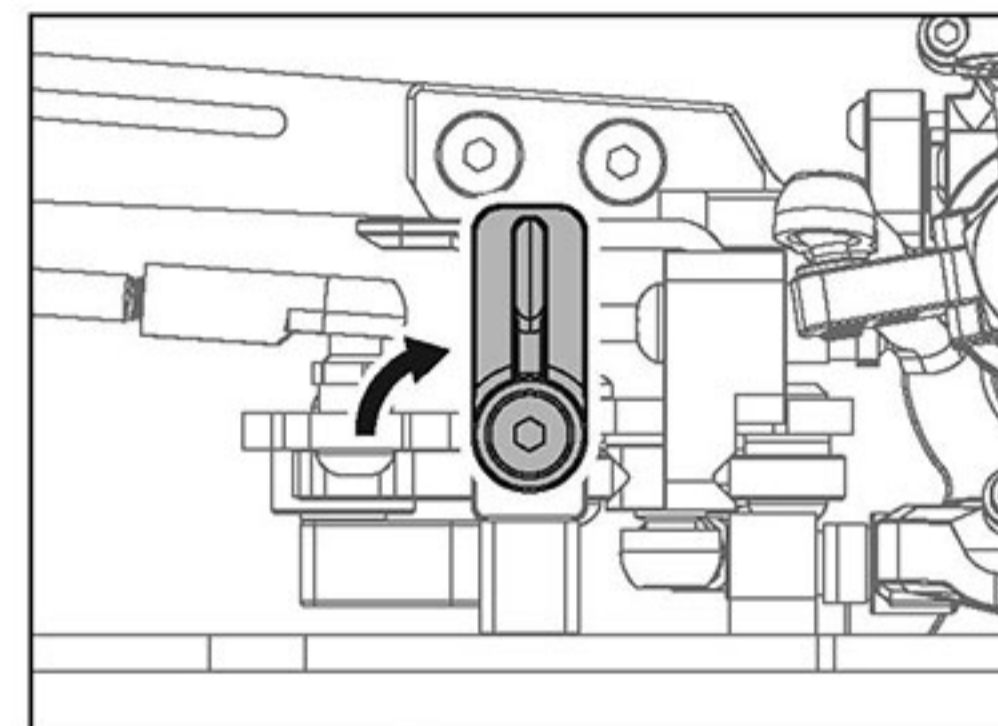
Please cut off the part as diagrams.
依下圖示切除零件。



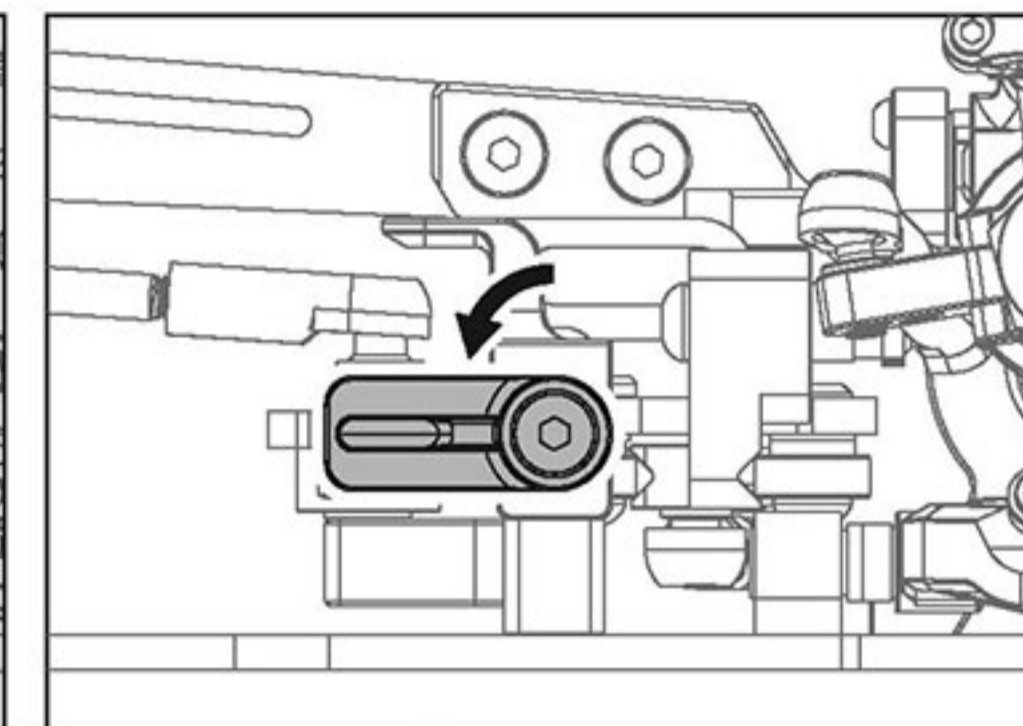
Matching the 8.5mm spaces to suitable places.
上圖示8.5mm孔距，可隨意搭配至適合的位置。

STEP 10 Attaching Battery 安裝電池

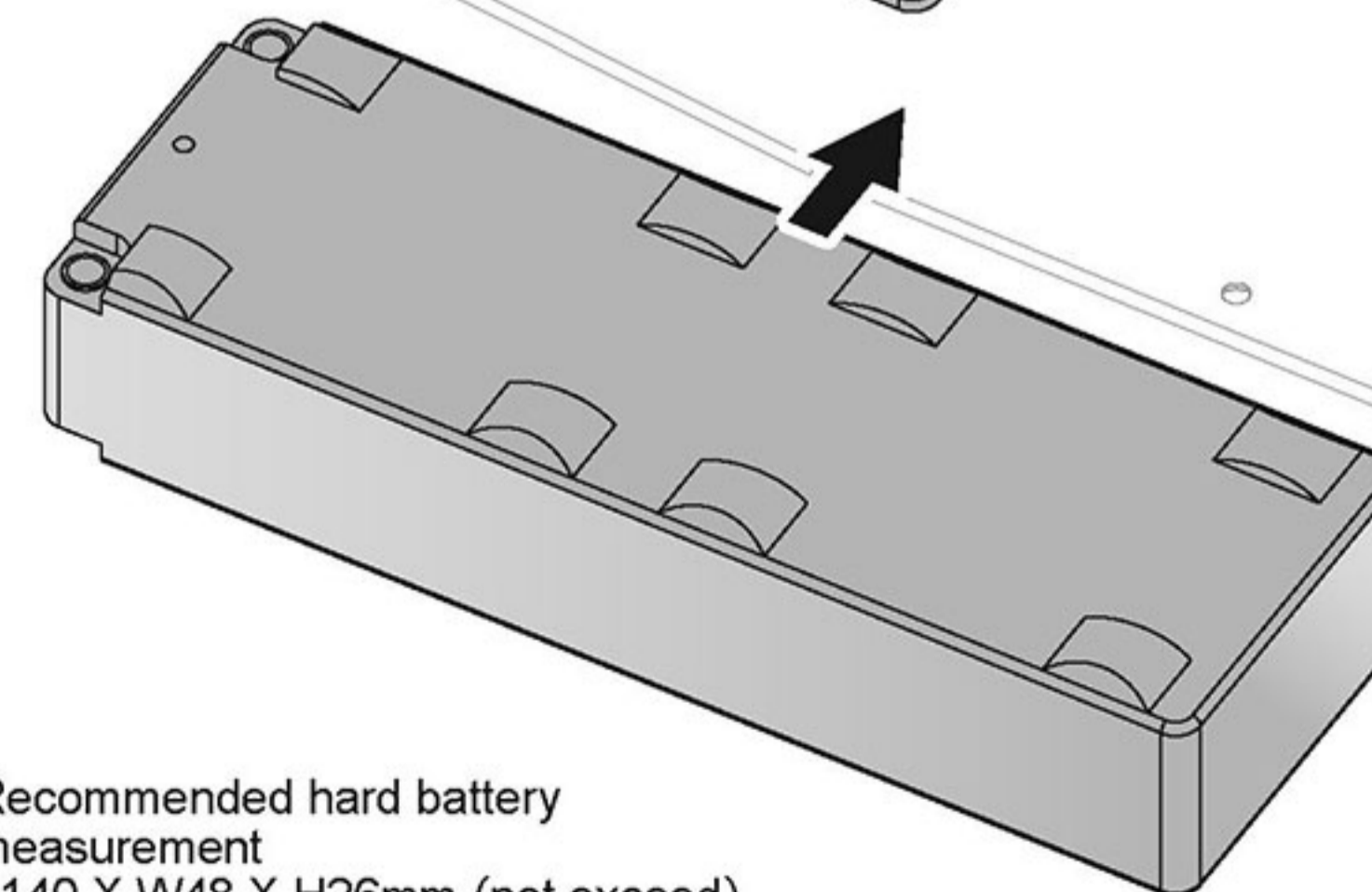
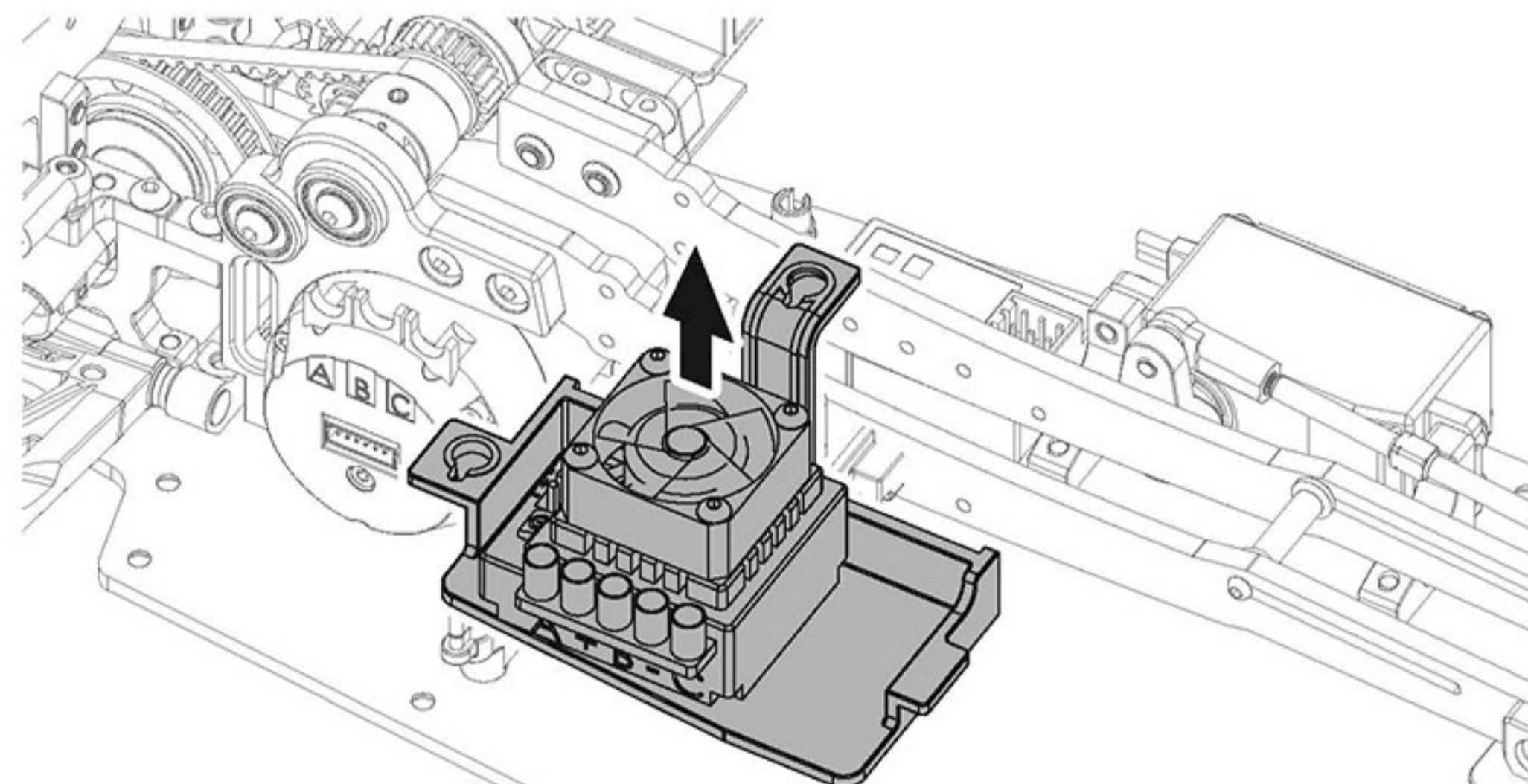
※ Notice the latch is in "Open" position for attaching battery.
注意，門栓位置是否位於「開」的狀態，才可安裝電池。



Open 開

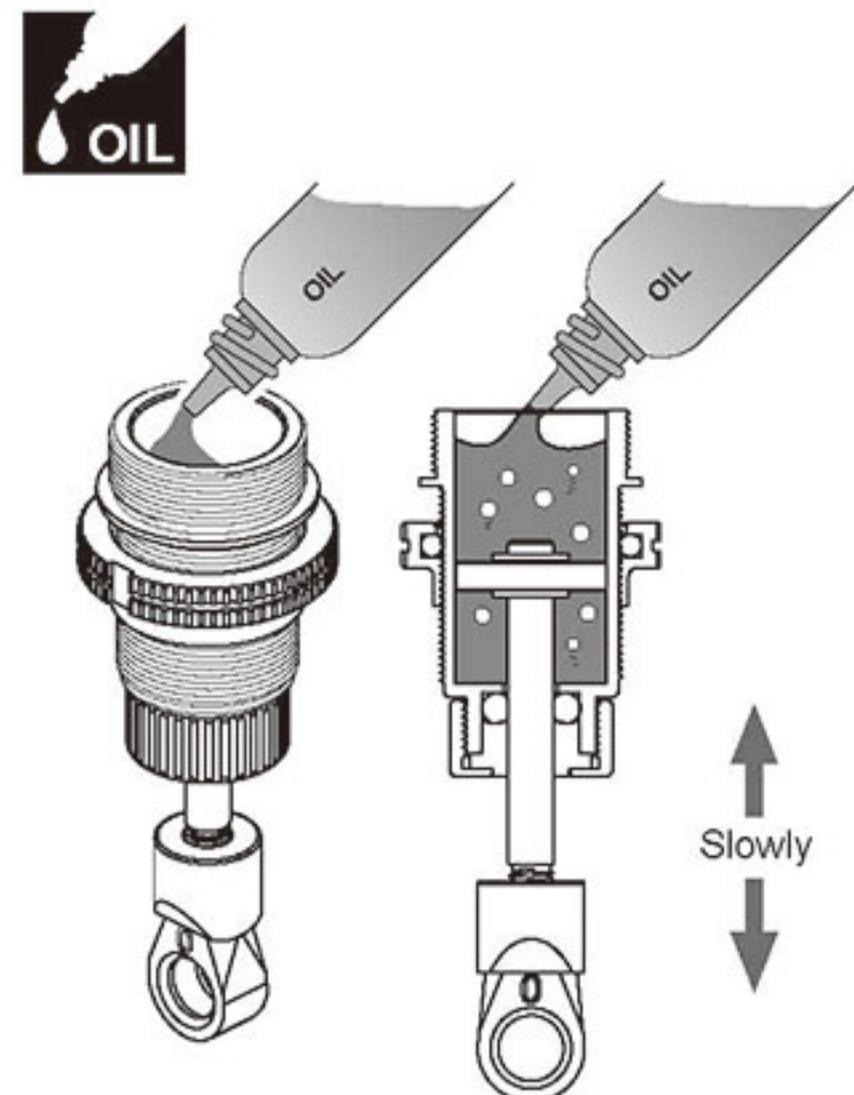
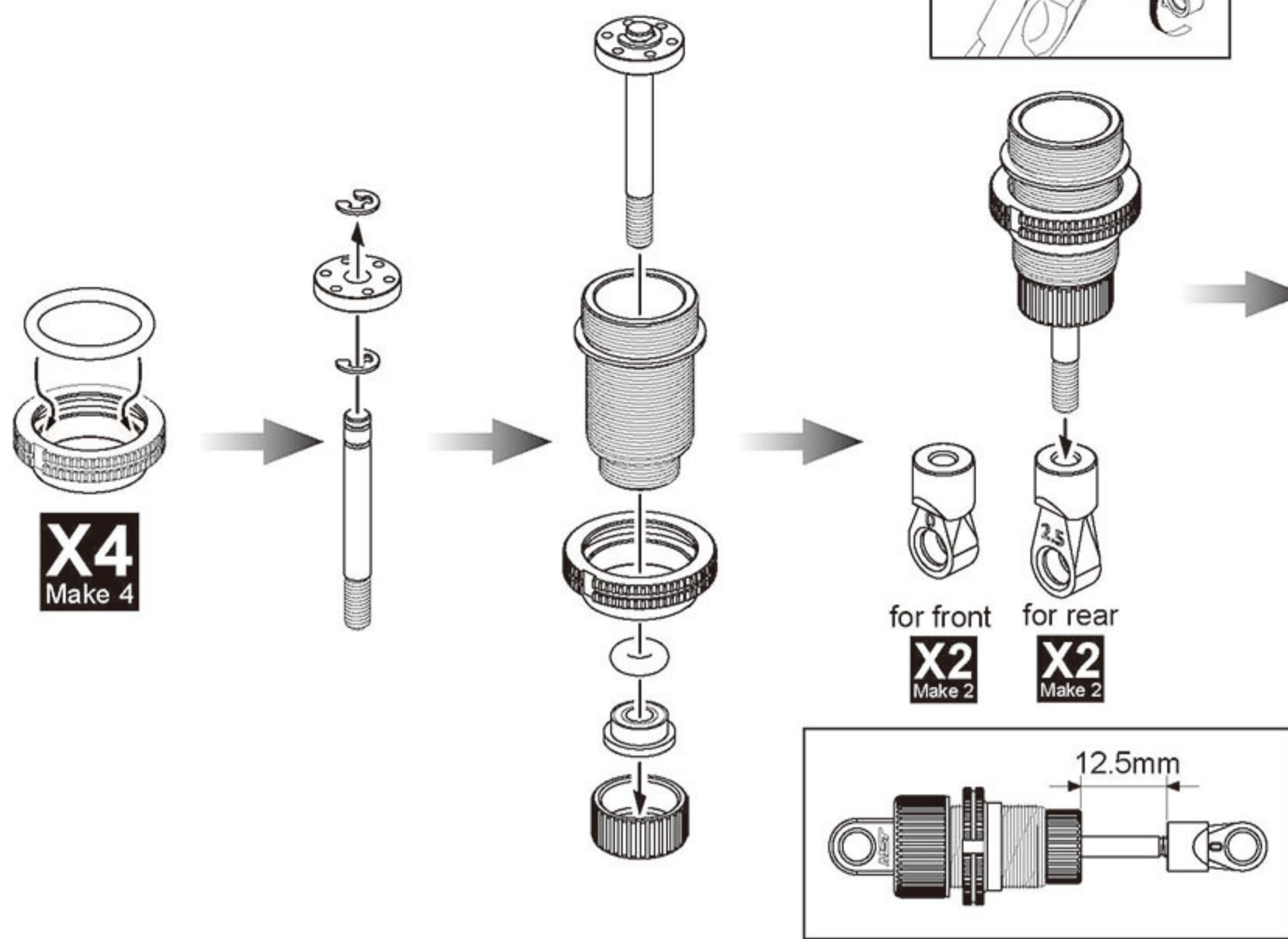


Close 關



※ Recommended hard battery
measurement
L140 X W48 X H26mm (not exceed).
建議使用硬殼鋰電池，規格不超過長140、寬48、高26mm。

STEP 11 Damper Assembly
避震器組裝

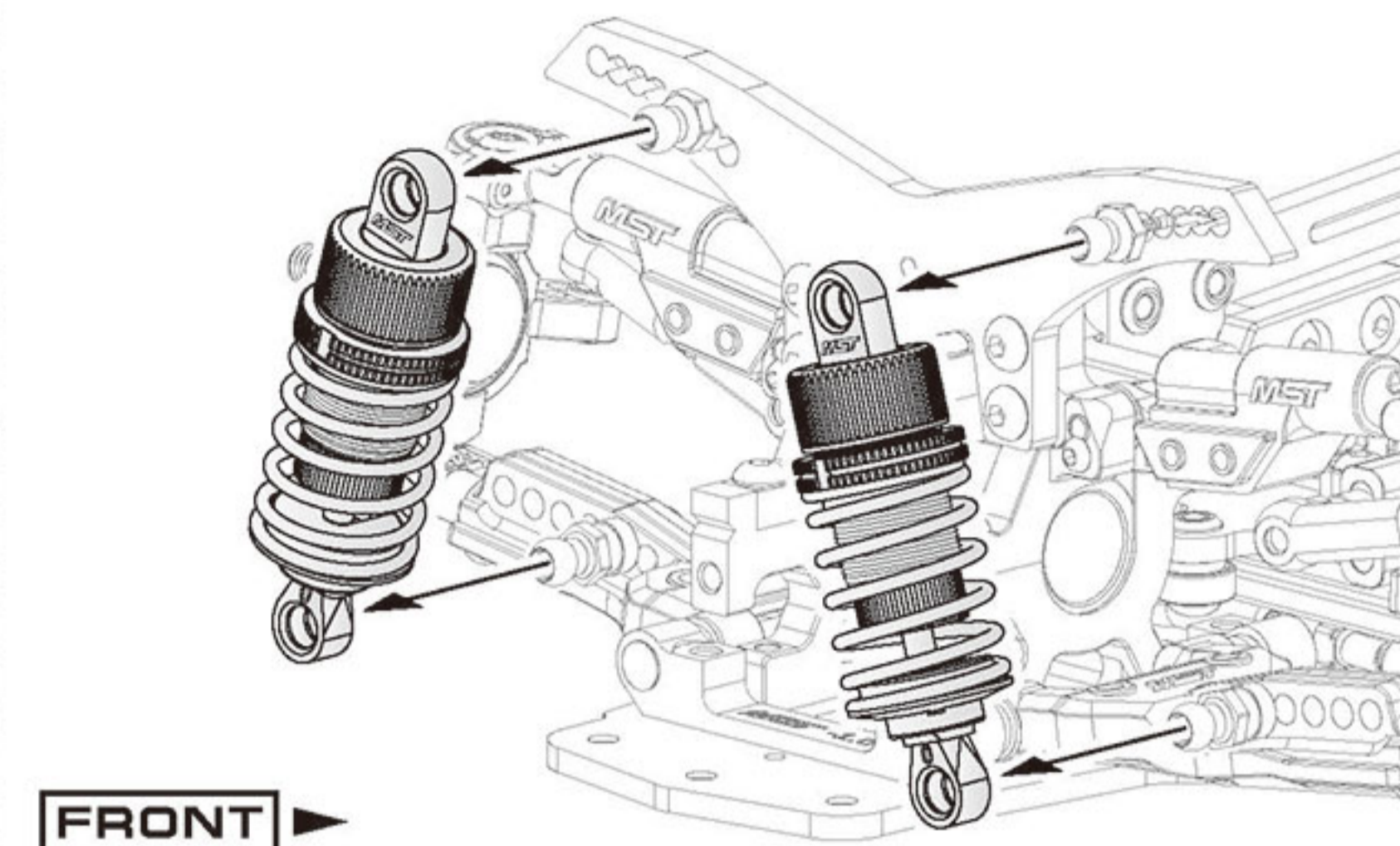


Pull down piston and pour oil into cylinder.
Remove air bubbles by slowly moving piston up and down.

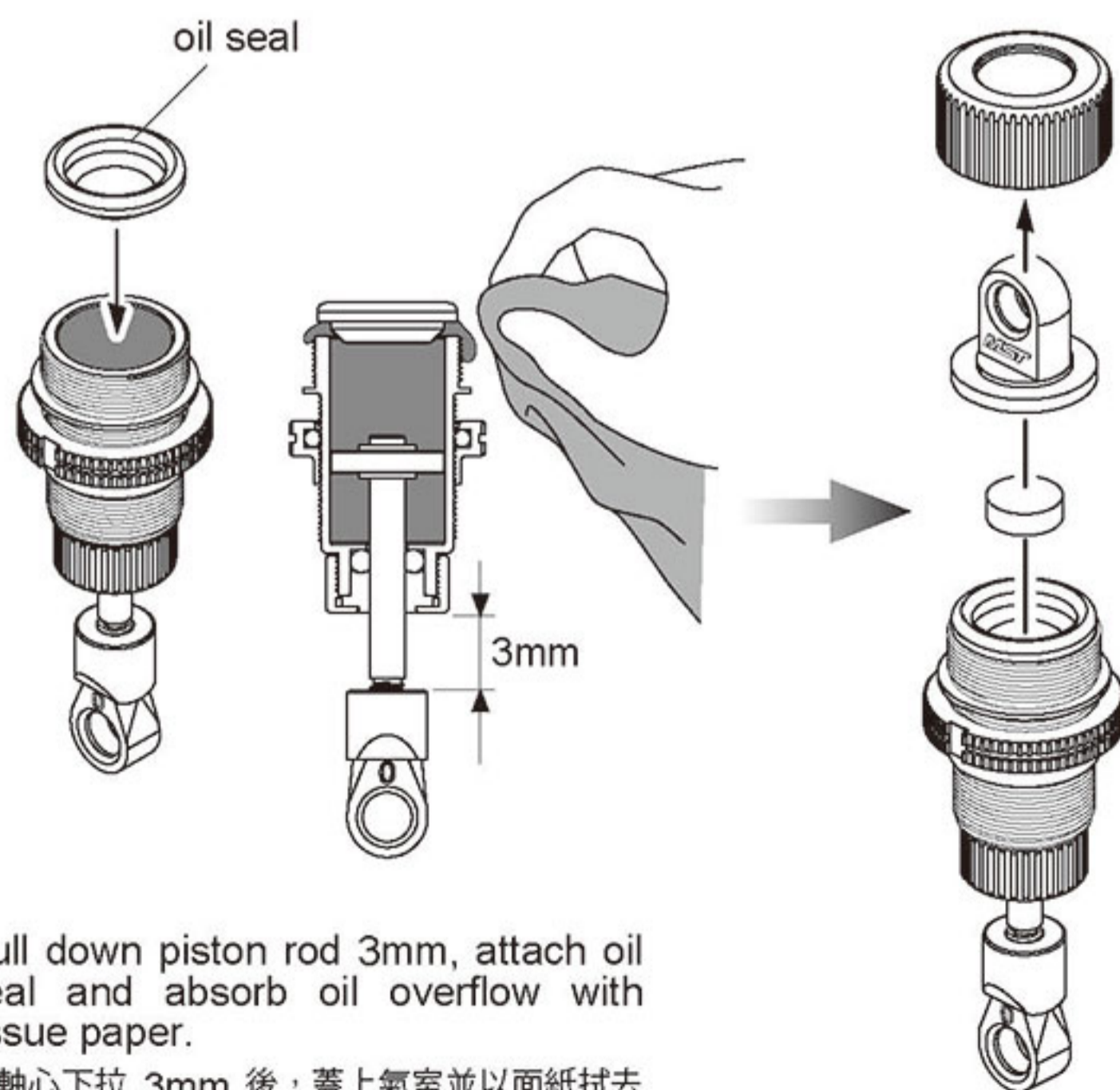
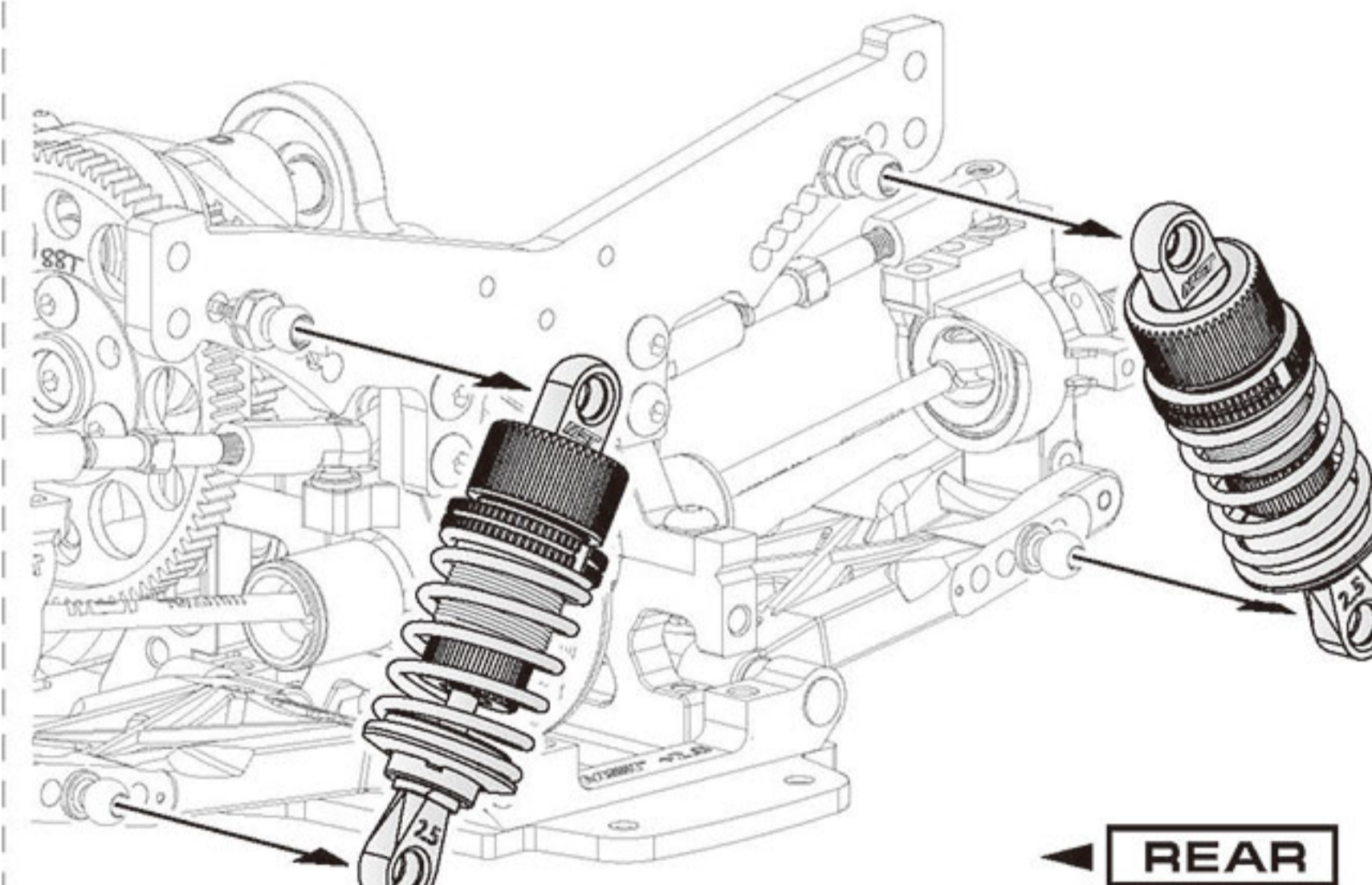
拉下活塞並填入矽油，緩慢上下移動活塞將氣泡移除。



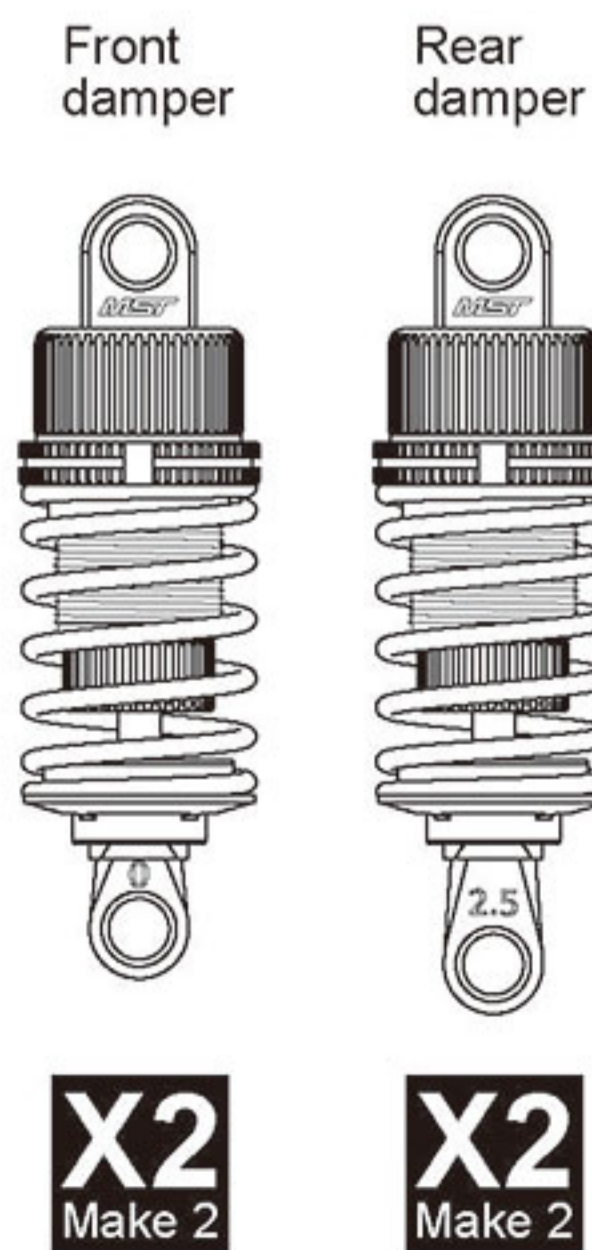
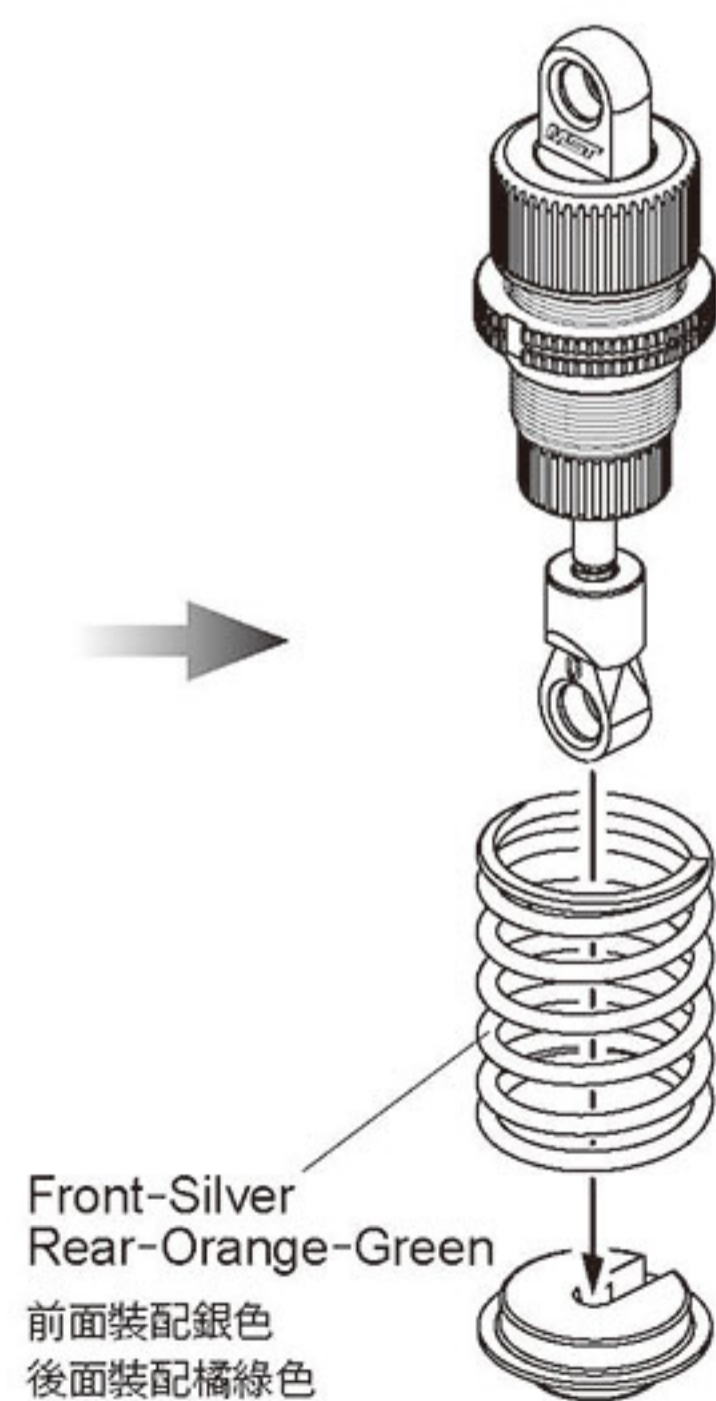
Attaching Front Damper
安裝前避震器



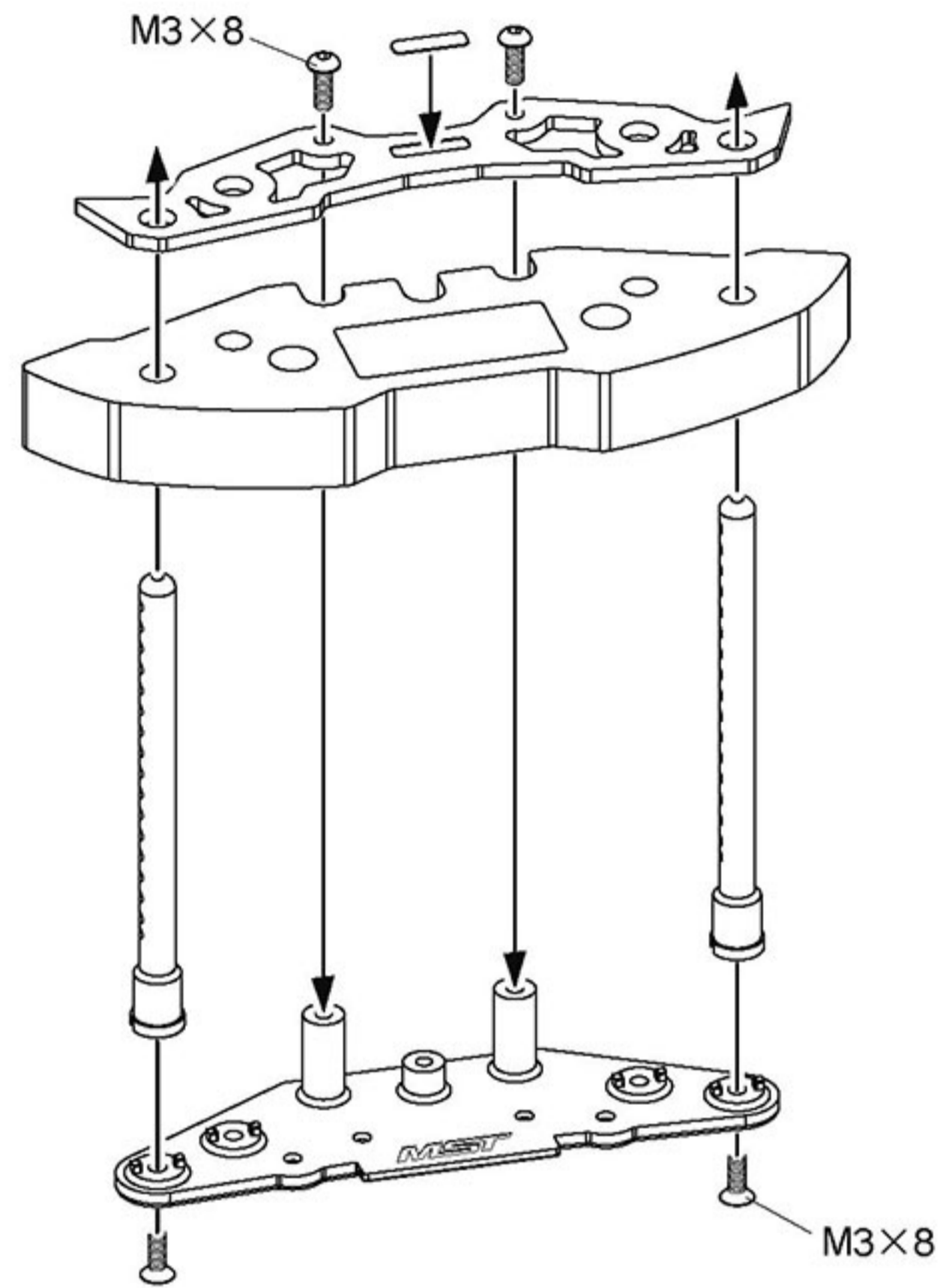
Attaching Rear Damper
安裝後避震器



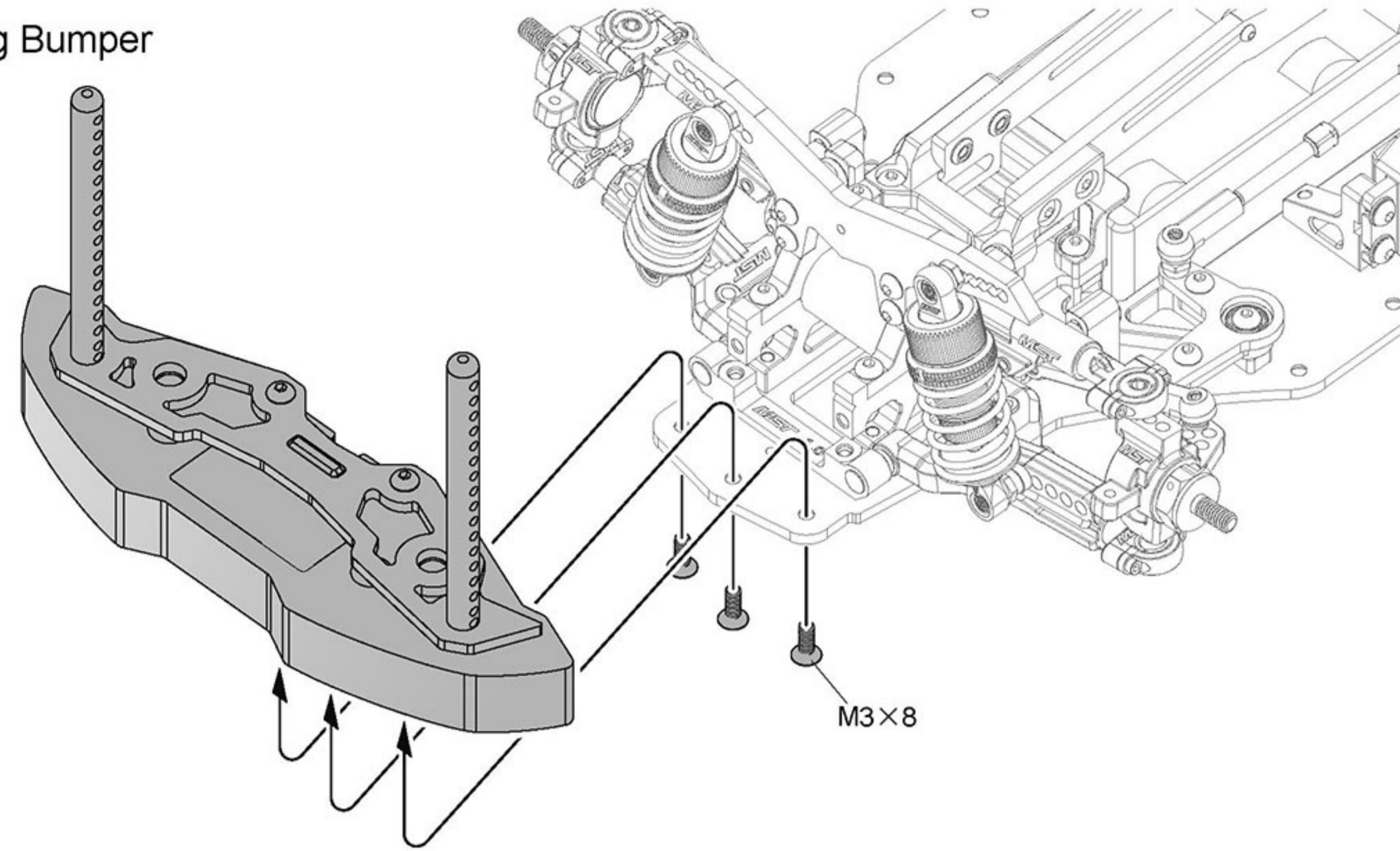
Pull down piston rod 3mm, attach oil seal and absorb oil overflow with tissue paper.
將軸心下拉 3mm 後，蓋上氣室並以面紙拭去溢出的矽油。



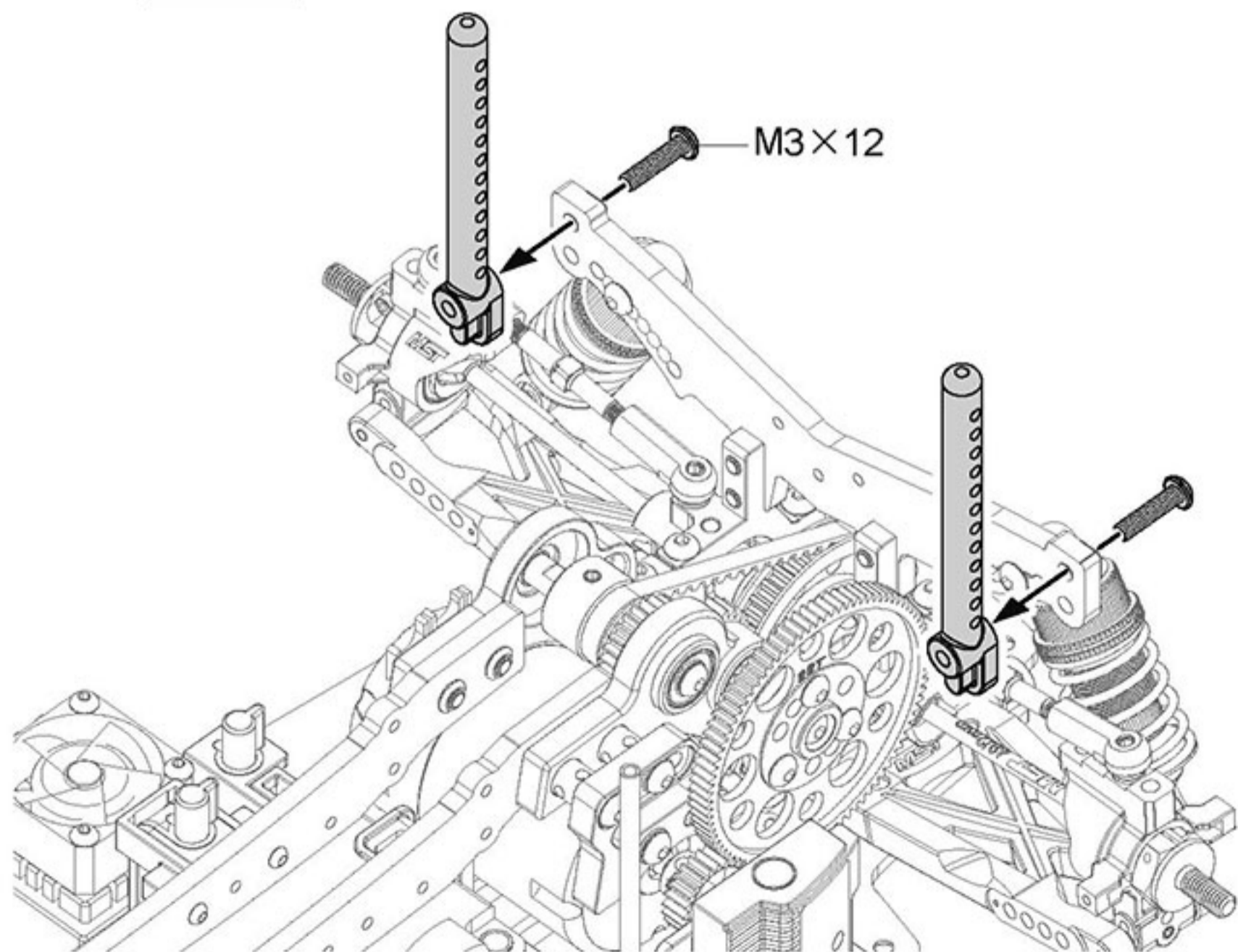
STEP 12 Front Bumper Assembly
前防撞板組裝



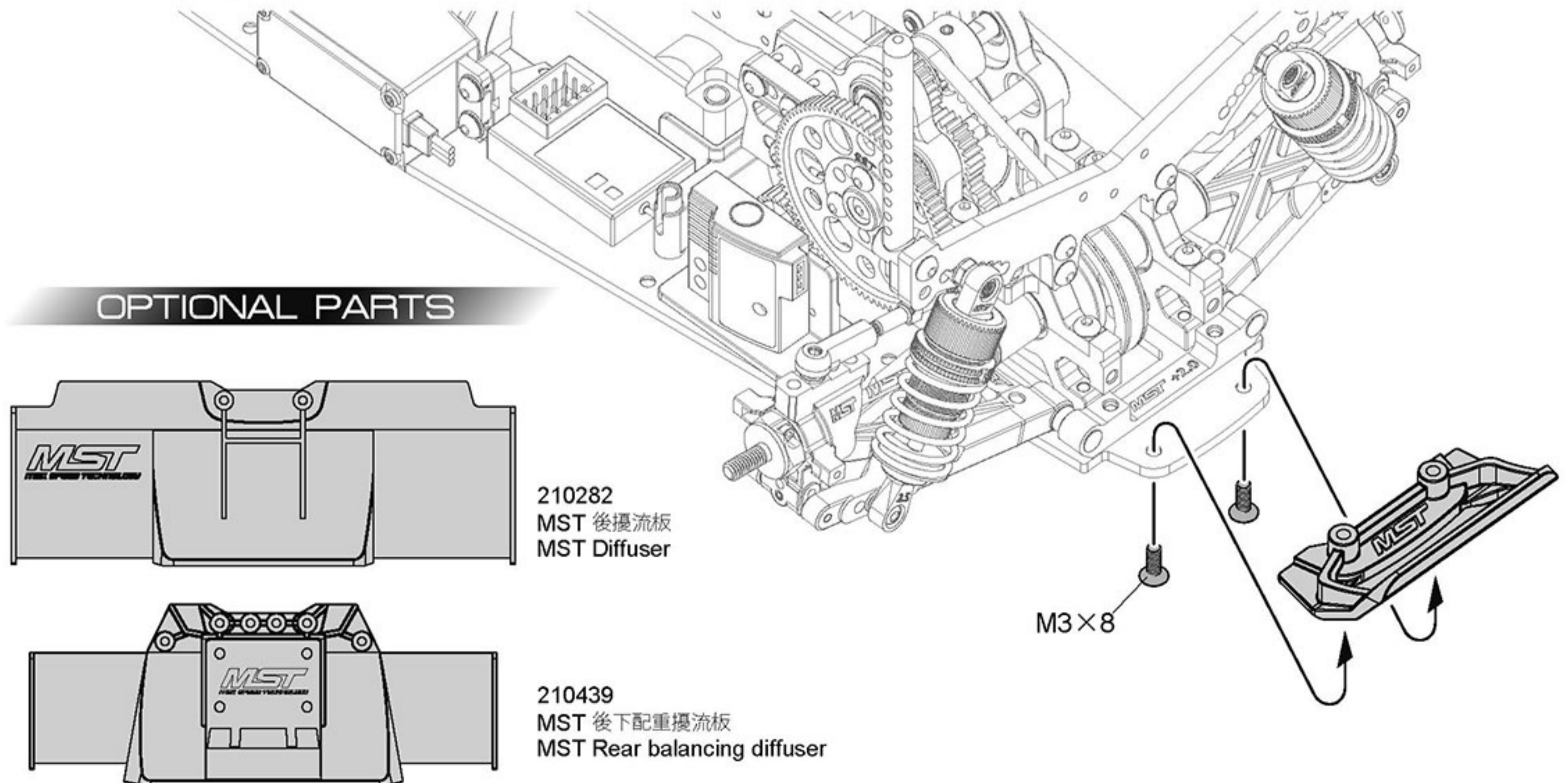
Attaching Bumper
安裝防撞板



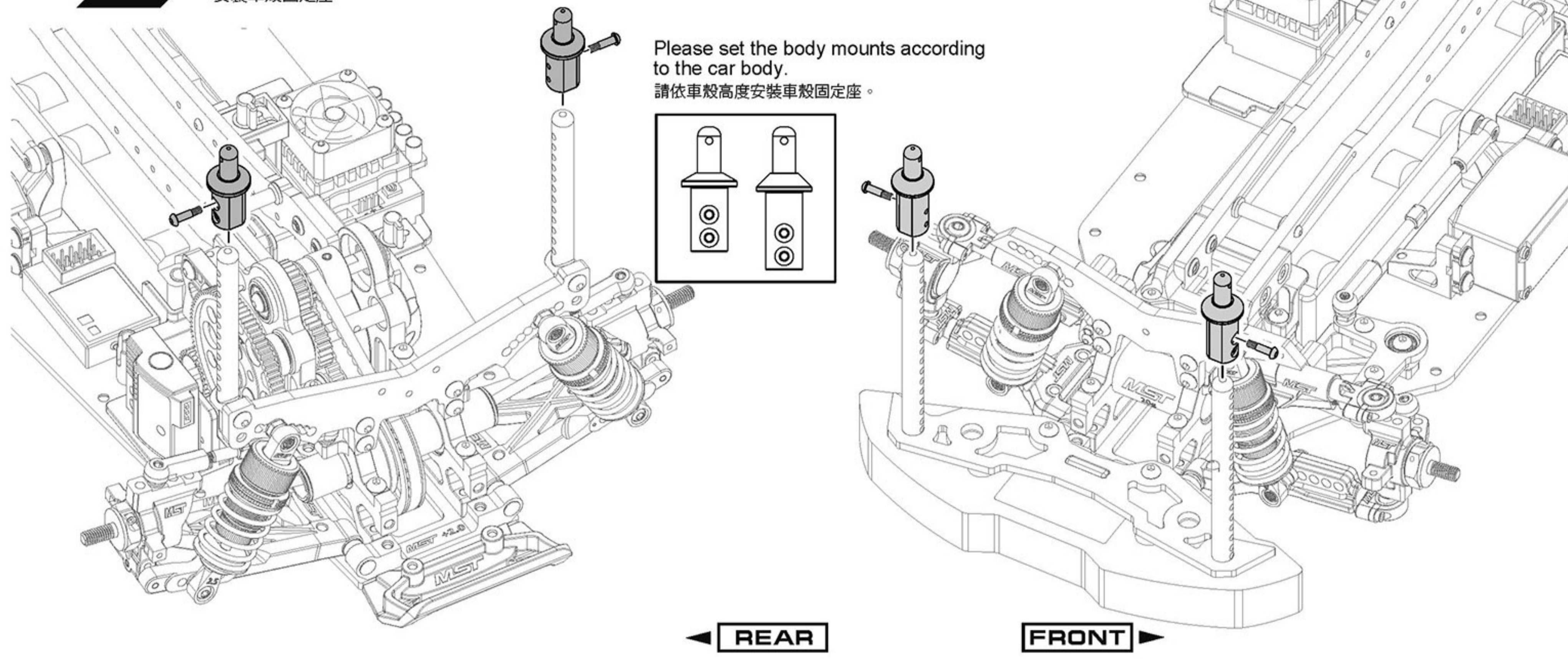
STEP 13 Attaching Rear Body Post
安裝後車殼支柱



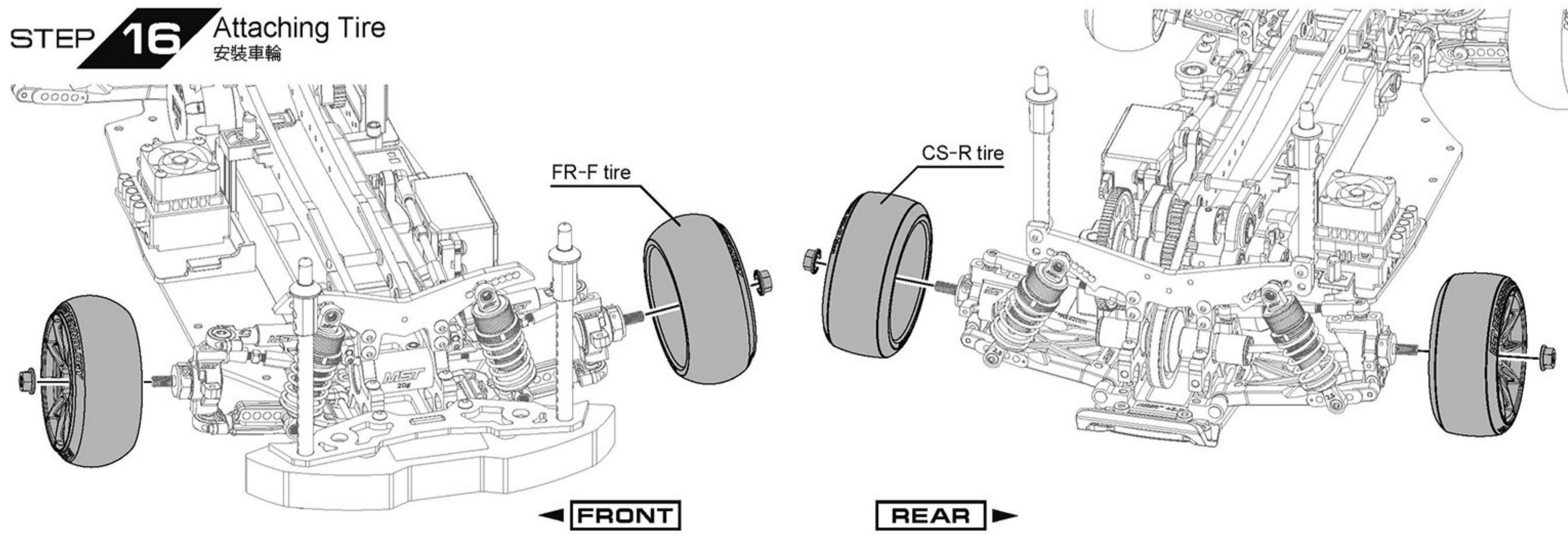
STEP 14 Attaching Rear Bumper
安裝後防撞板



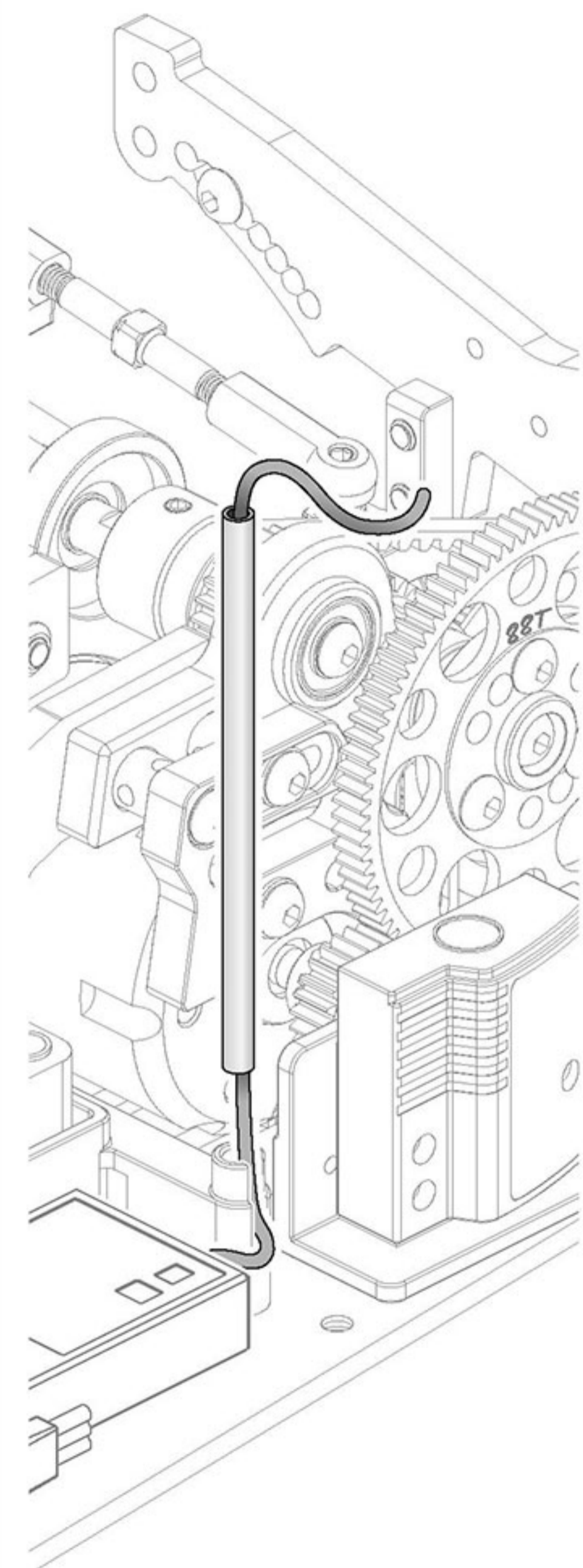
STEP 15 Attaching Body Mounts
安裝車殼固定座



STEP 16 Attaching Tire
安裝車輪

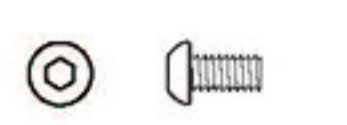
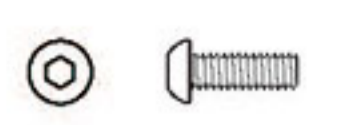

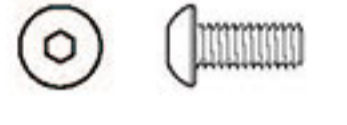





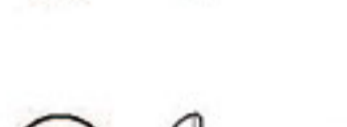

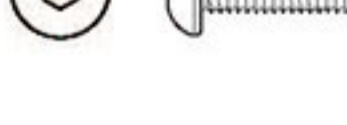








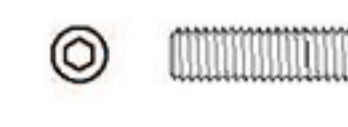
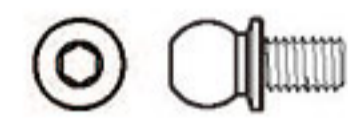



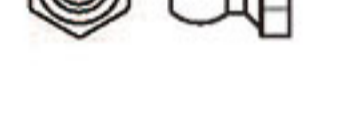

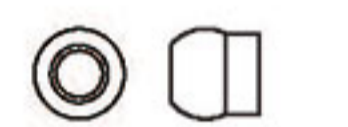





STEP 17 Attaching antenna pipe
安裝天線管


















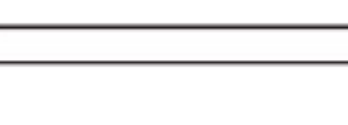


Cutting it for proper length.
請剪裁適當長度使用。

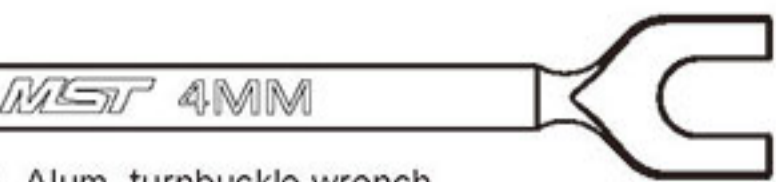




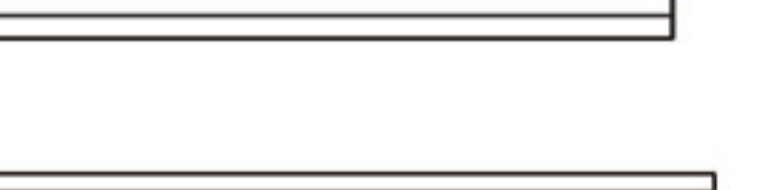

PARTS

-  M2×4 Screw ×4
圓頭螺絲
110004
-  M2×6 Screw ×2
圓頭螺絲
110044
-  M2×8 Screw ×6
圓頭螺絲
110063
-  M2.5×6 Screw ×4
圓頭螺絲
110003
-  M2.5×10 Screw ×4
圓頭螺絲
110064
-  M3×5 Screw ×3
圓頭螺絲
110049
-  M3×6 Screw ×14
圓頭螺絲
110001
-  M3×8 Screw ×38
圓頭螺絲
110002
-  M3×10 Screw ×6
圓頭螺絲
110026
-  M3×12 Screw ×4
圓頭螺絲
110029
-  M3×14 Screw ×3
圓頭螺絲
110061
-  M2.5×10 Screw ×1
自攻螺絲
110025
-  M2×8 Screw ×4
圓頭螺絲 (半牙)
110045
-  M1.6×4 Screw ×4
有頭螺絲
110039S
-  M1.6×6 Screw ×8
有頭螺絲
110066S
-  M3×8 Screw ×31
沉頭螺絲
110005

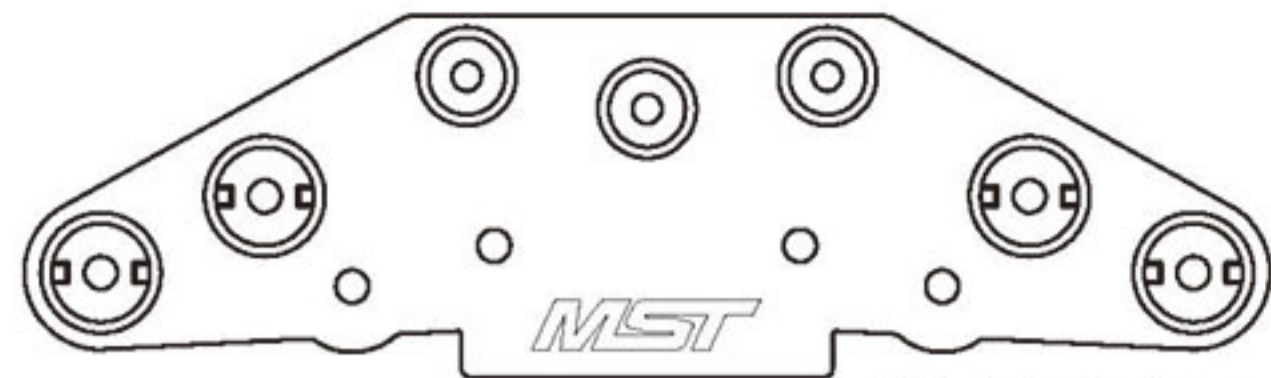
-  M2.5×2.5 Screw ×2
止付螺絲
110067
-  M3×5 Screw ×1
止付螺絲
110006
-  M3×10 Screw ×2
止付螺絲
110032
-  4.8×4.5 S Ball connector ×2
球頭螺絲
210433
-  4.8×4.5 Ball connector ×8
球頭螺絲
310001
-  5.8×4 Ball connector ×4
球頭螺絲
210159
-  4.8 Ball connector nut ×6
外六角球頭
210161
-  4.8 Ball connector nut L ×4
外六角球頭 (長)
210344
-  2.5×5 Suspension balls ×8
插銷球頭
210321
-  M4 Wheel nut ×4
輪框螺帽
820074
-  M3×6×8 Bolster post ×2
墊高柱
310059
-  2WD Axle ×2
二驅輪軸
310049
-  3×4×1 Bearing bush ×2
培林襯套
310060
-  Universal adjusting mount ×2
通用型調整座
310061
-  Cross joint ×2
連接軸
820030

-  3×5.5×1.0 Alum. spacer ×1
鋁墊片
(820026)
-  3×5.5×2.0 Alum. spacer ×2
鋁墊片
(820027)
-  3×5.5×3.0 Alum. spacer ×2
鋁墊片
(820028)
-  3×5.5×2.0 Alum. spacer ×2
鋁墊片
820027S
-  5×7×1.0 Spacer ×4
墊片
820018
-  3×6×0.5 Spacer ×18
墊片
110047
-  3×8×0.5 Spacer ×1
墊片
110048
-  R-clip 5.0 (black) ×4
R形扣 5.0 (黑)
820075BK
-  E-clip 4.0 ×1
E扣 4.0
110037
-  3×3.5×20 Steel turnbuckle ×2
鋼製可調螺桿
210326

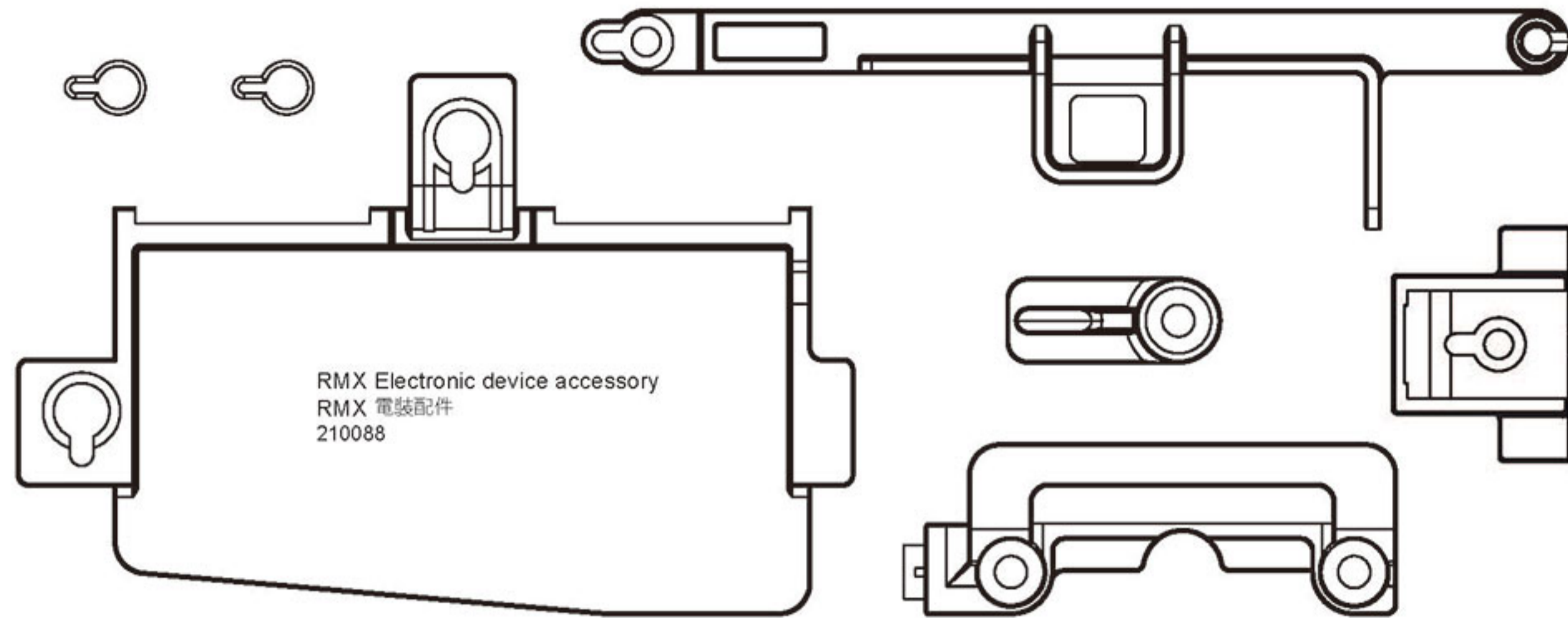
-  3×7 Ball bearing ×1
培林
120006
-  5×10 Ball bearing ×4
培林
120002
-  5×8 Ball bearing ×2
培林
120003
-  4×8×3 Ball bearing ×2
培林
120013
-  3×8×3 Ball bearing ×1
培林
120016
-  5×8×2 Ball bearing ×2
培林
120015
-  5×11 Ball bearing ×4
培林
120011
-  10×15 Ball bearing ×6
培林
120001

-  4mm Alum. turnbuckle wrench
鋁合金拉桿扳手
(210272)
-  0.05" L Wrench
L板手
110067
-  Black grease
黑色油膏
130008
-  MST-PU Sticker
MST-PU貼紙
710001
-  Damper oil #300
避震油
130009
-  1.5 & 2.0 & 2.5 L Wrench set
L板手組
130035
-  5.5 & 7.0 Alum. wrench
鋁合金套筒工具
(700003)

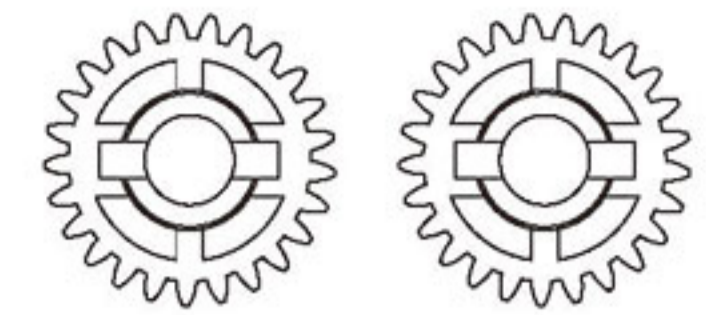
PARTS



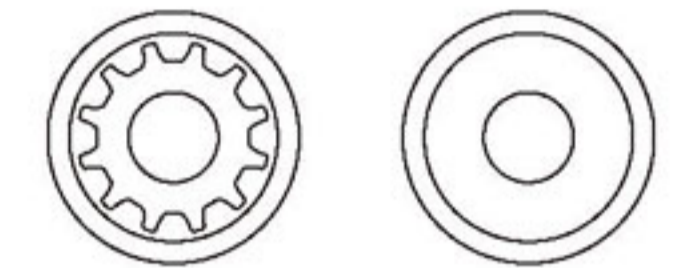
Wide balancing bumper
寬形配重防撞板
210378



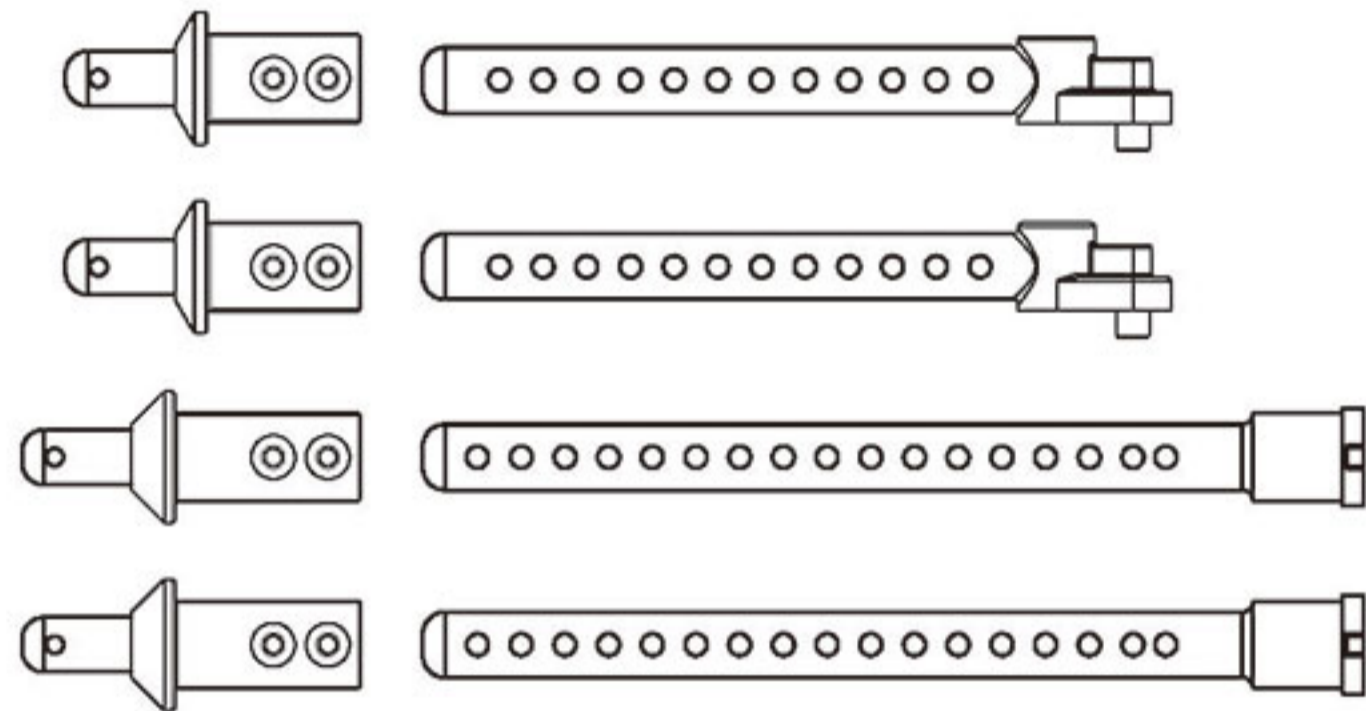
RMX Electronic device accessory
RMX 電裝配件
210088



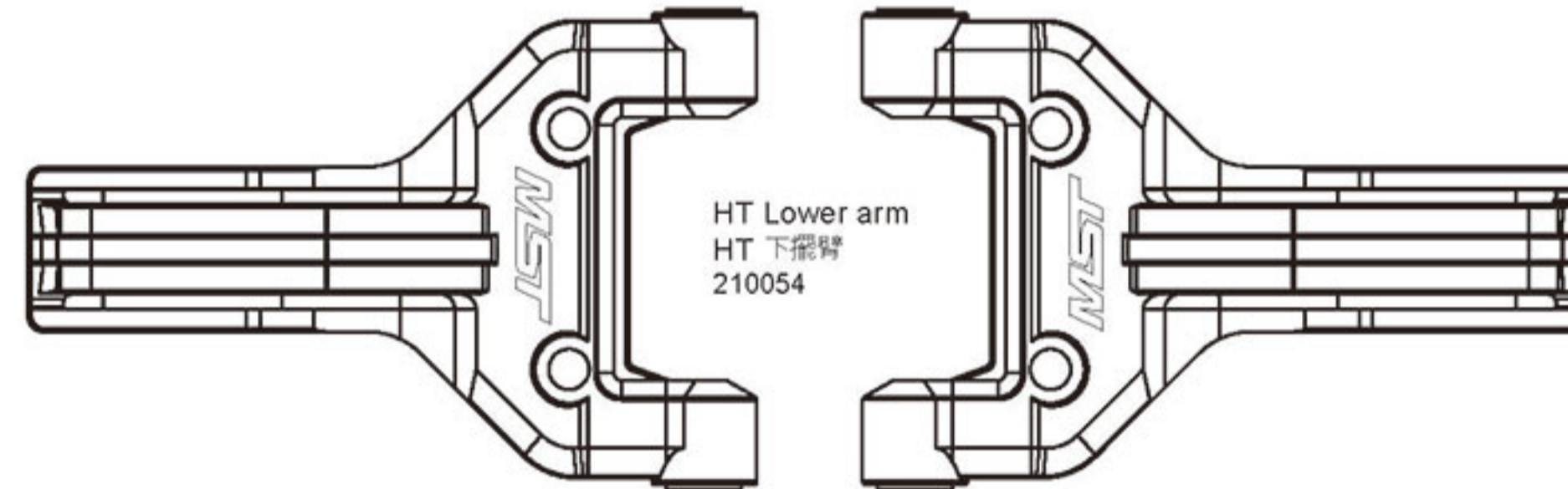
Idler gear M0.6 25T
惰輪 M0.6 25T
210090



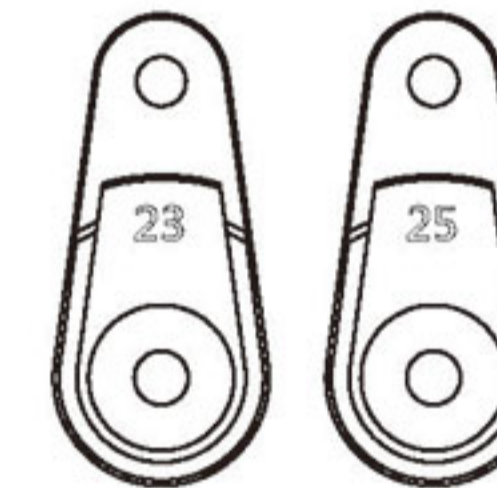
Pulley 12T
皮帶齒 12T
210111-2



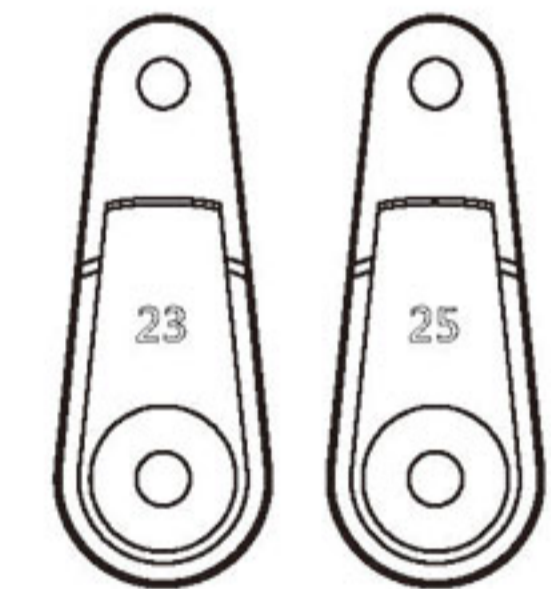
Car body post set
車殼支柱組
210381



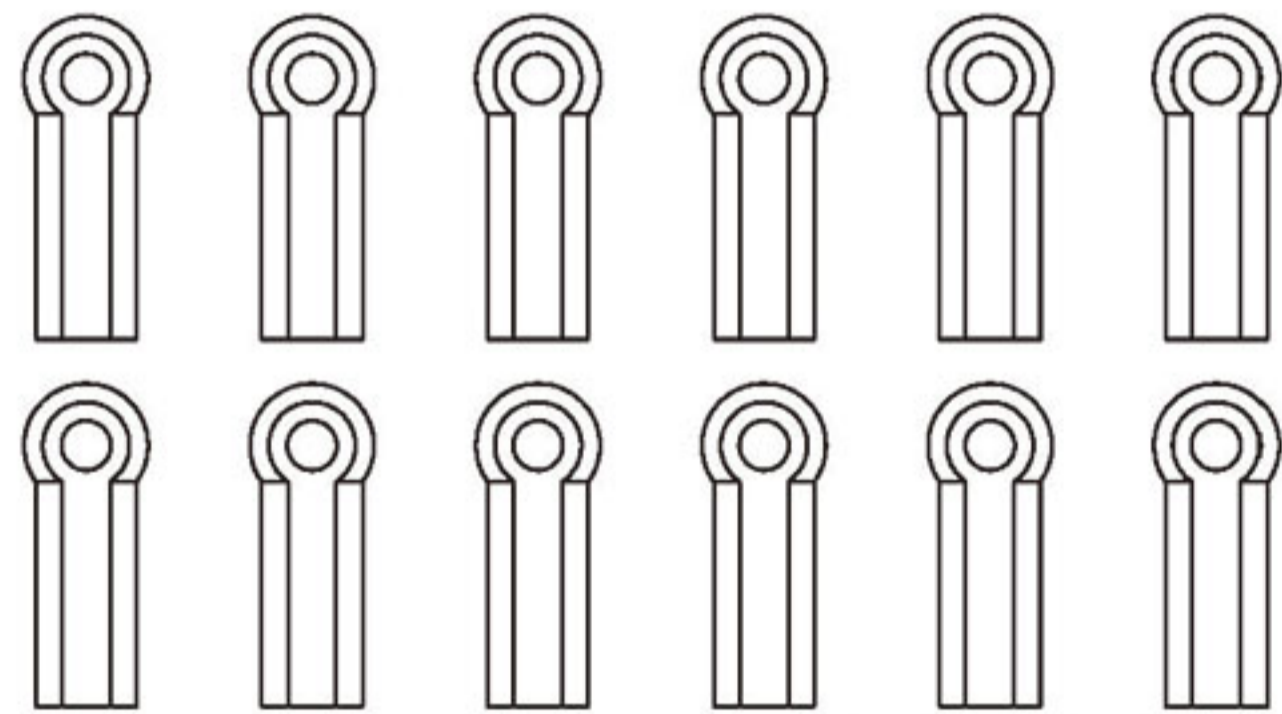
HT Lower arm
HT 下擺臂
210054



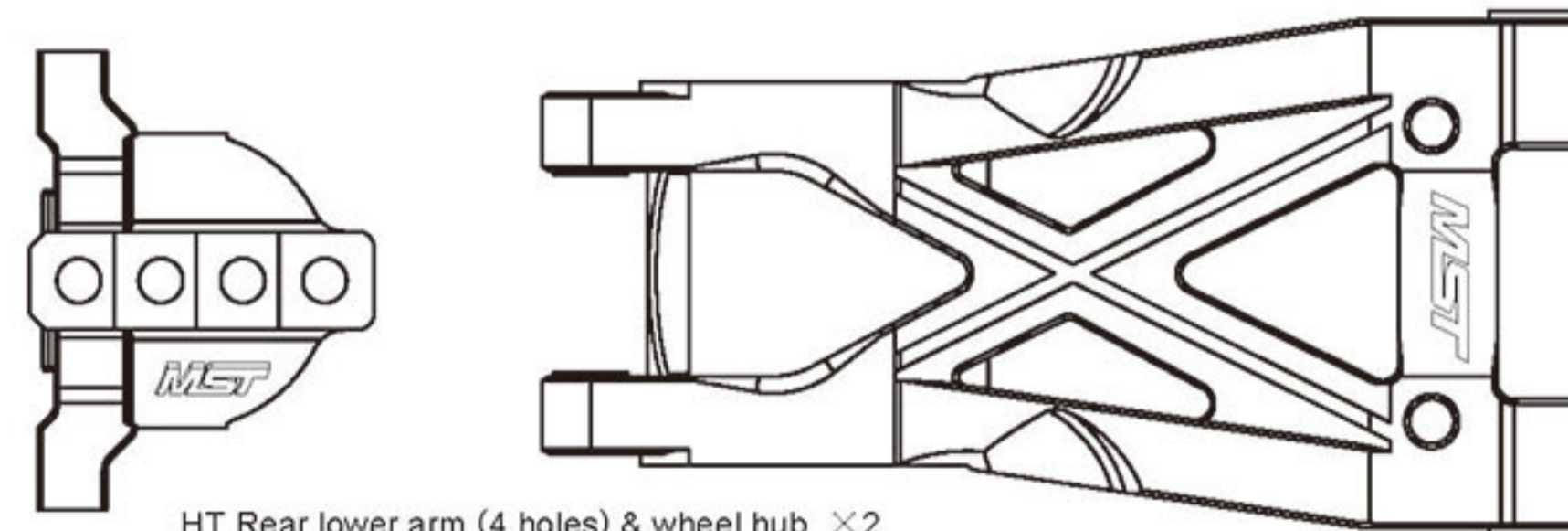
Servo horn set (23T/25T)
伺服機舵片組 (23T/25T)
210032



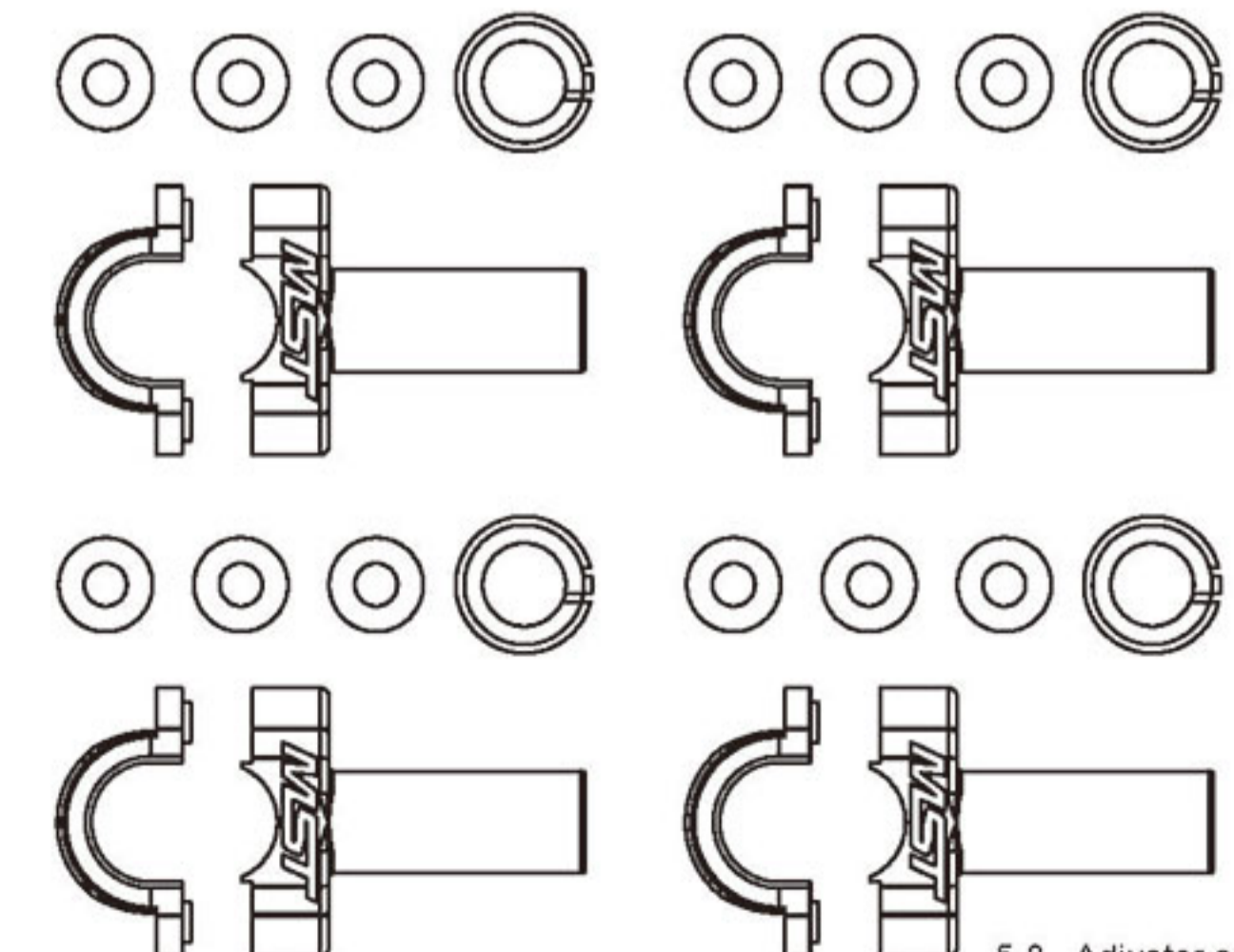
Servo horn set (long) (23T/25T)
伺服機舵片組 (長) (23T/25T)
210033



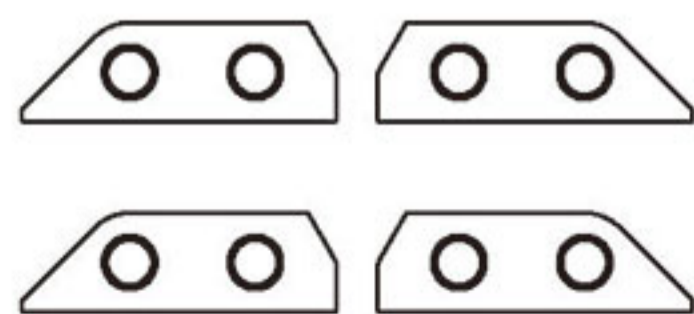
4.8×18 Reinforced adjuster set
強化拉桿頭組
210047



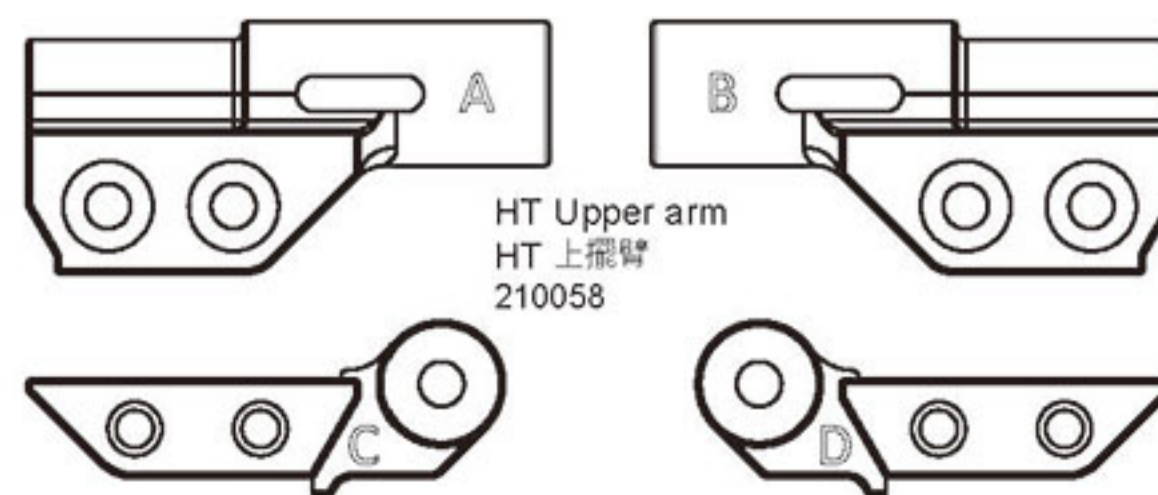
HT Rear lower arm (4 holes) & wheel hub ×2
HT 後下擺臂 (4孔) & 輪座
210070



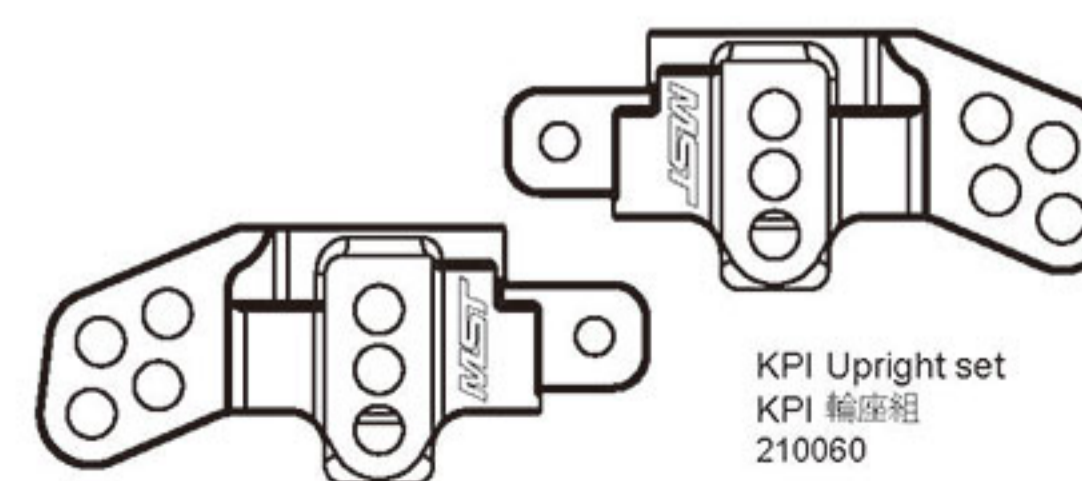
5.8 Adjuster set
調整式拉桿頭組
820081



HT Upper arm spacer
HT 上擺臂墊片
210061

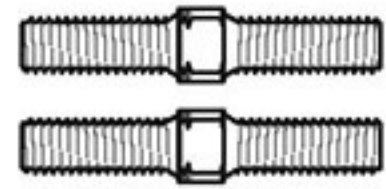


HT Upper arm
HT 上擺臂
210058



KPI Upright set
KPI 輪座組
210060

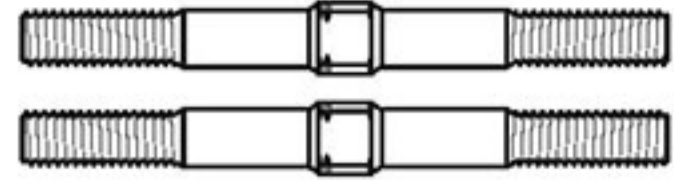
PARTS



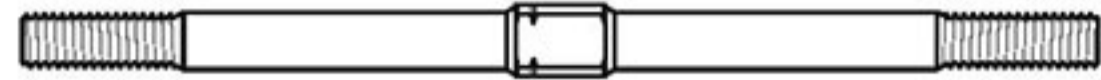
3×20 Alum. reinforced turnbuckle
鋁合金強化可調拉桿
(810007)



3×32 Alum. reinforced turnbuckle
鋁合金強化可調拉桿
(810010)



3×36 Alum. reinforced turnbuckle
鋁合金強化可調拉桿
(810012)



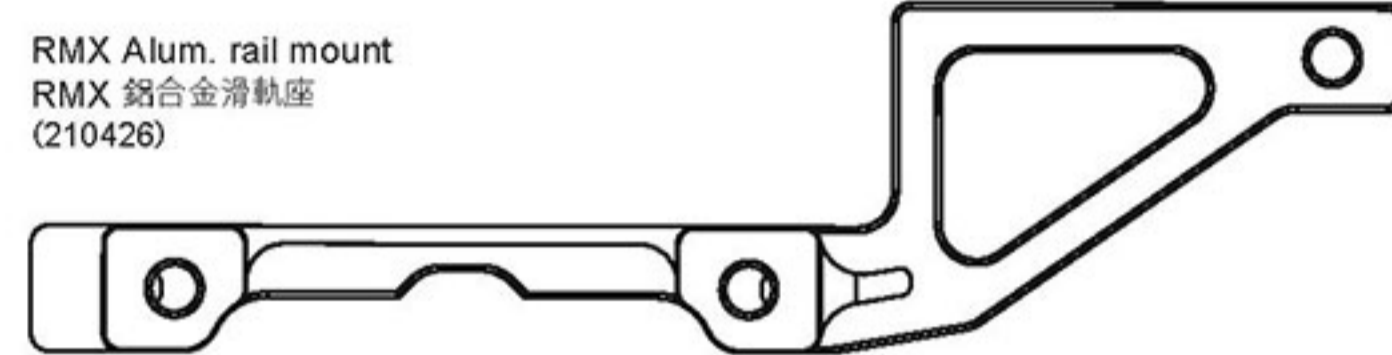
3×60 Alum. turnbuckle
鋁製可調拉桿
(210105)



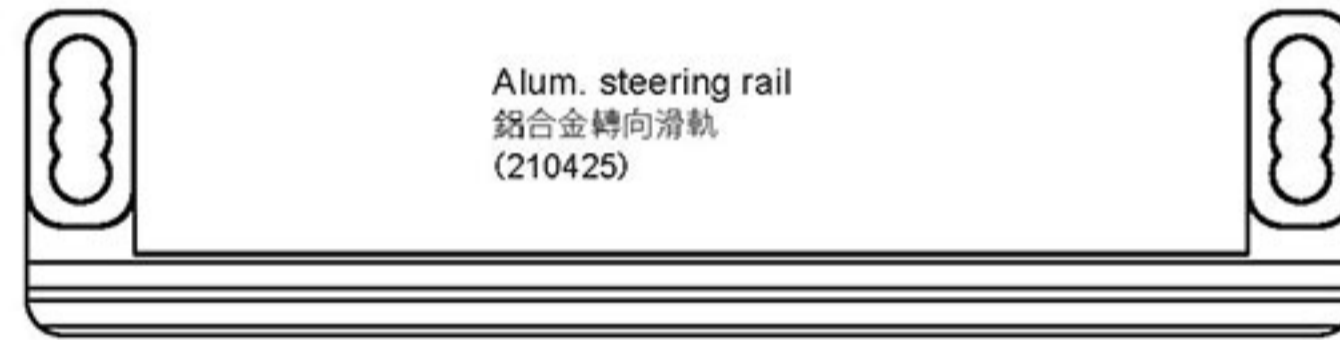
Alum. suspension mount (-1.0) ×3
鋁合金擺臂座 (-1.0)
(820084)



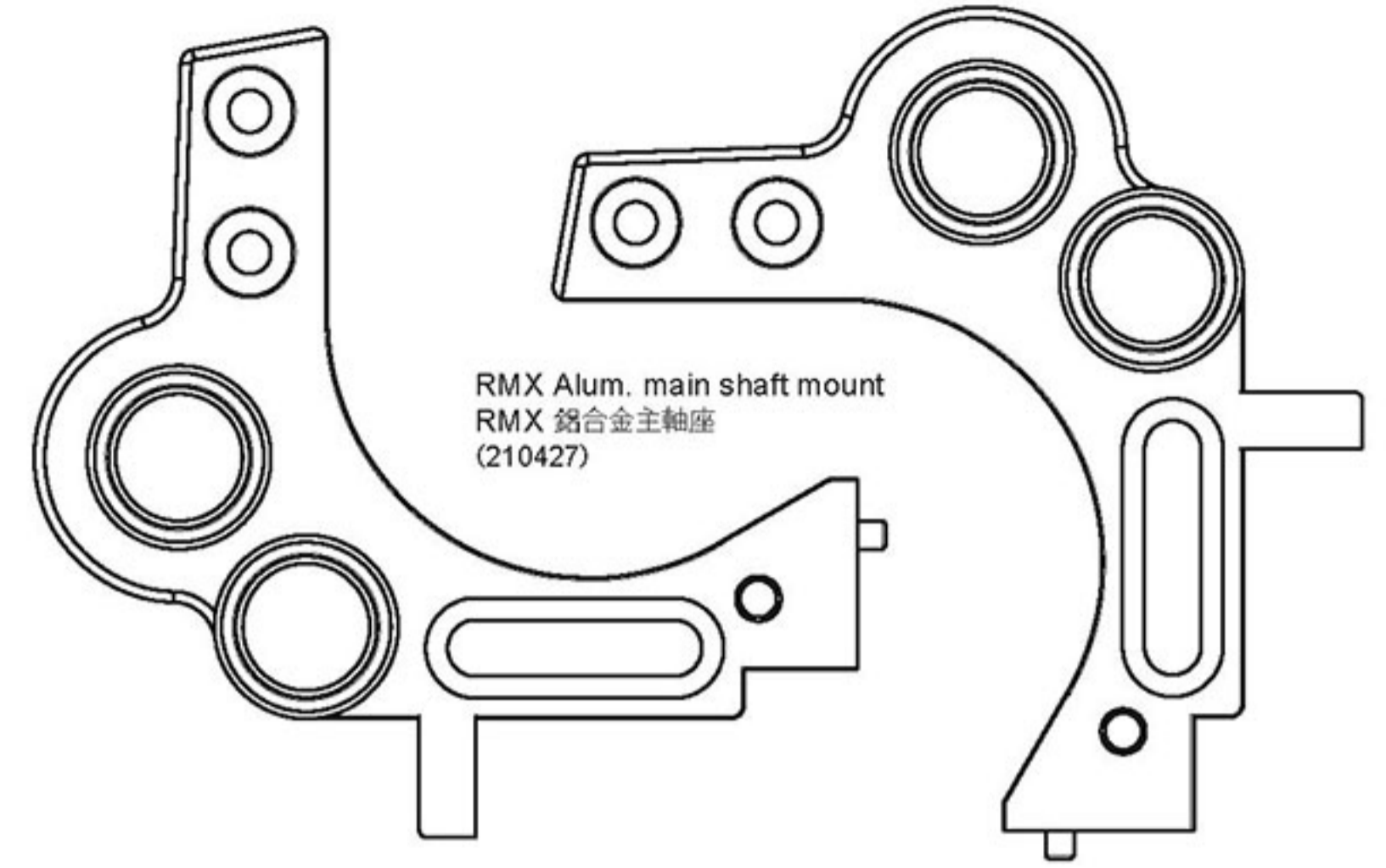
Alum. suspension mount (+2.0)
鋁合金擺臂座 (+2.0)
(820038)



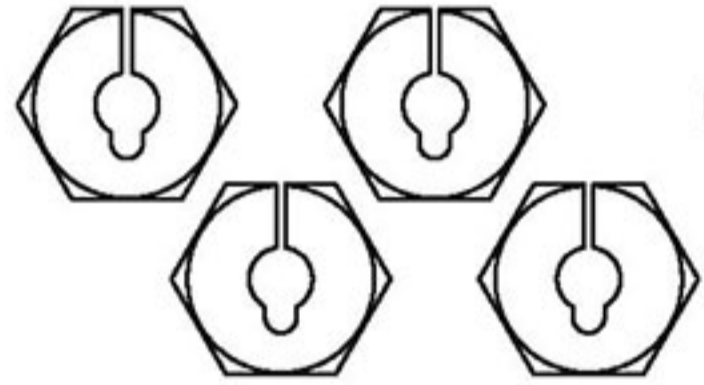
RMX Alum. rail mount
RMX 鋁合金滑軌座
(210426)



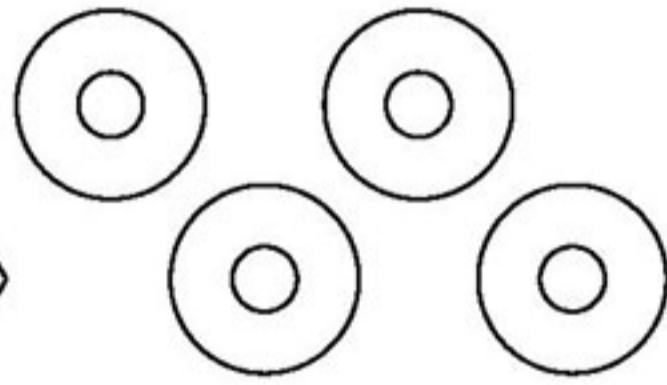
Alum. steering rail
鋁合金轉向滑軌
(210425)



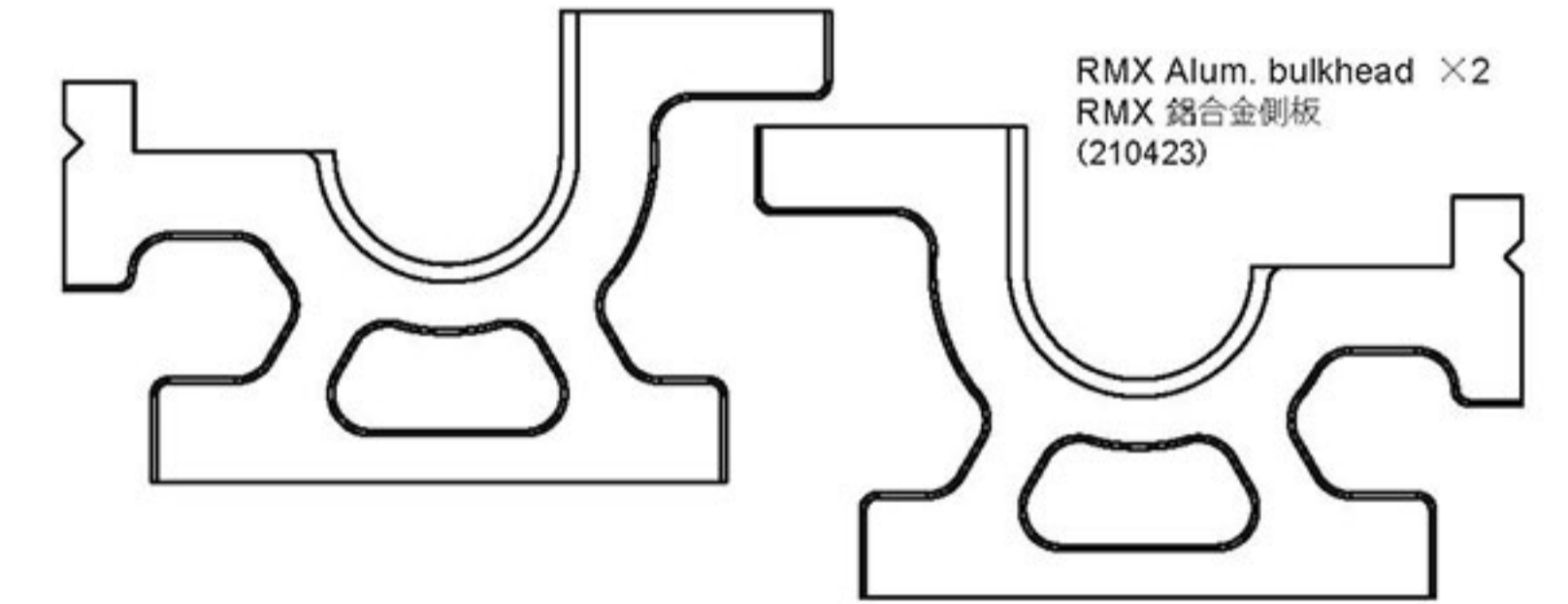
RMX Alum. main shaft mount
RMX 鋁合金主軸座
(210427)



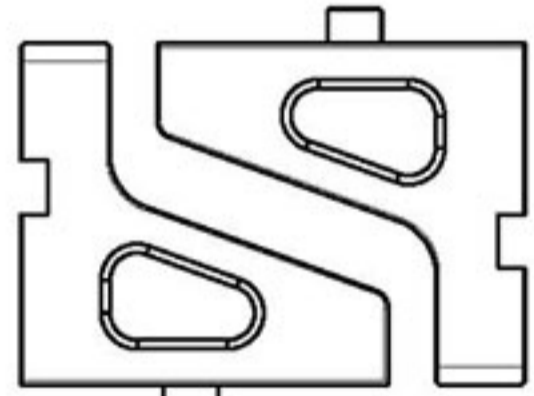
4mm Alum. hex. wheel hubs
鋁合金六角輪座
(820044)



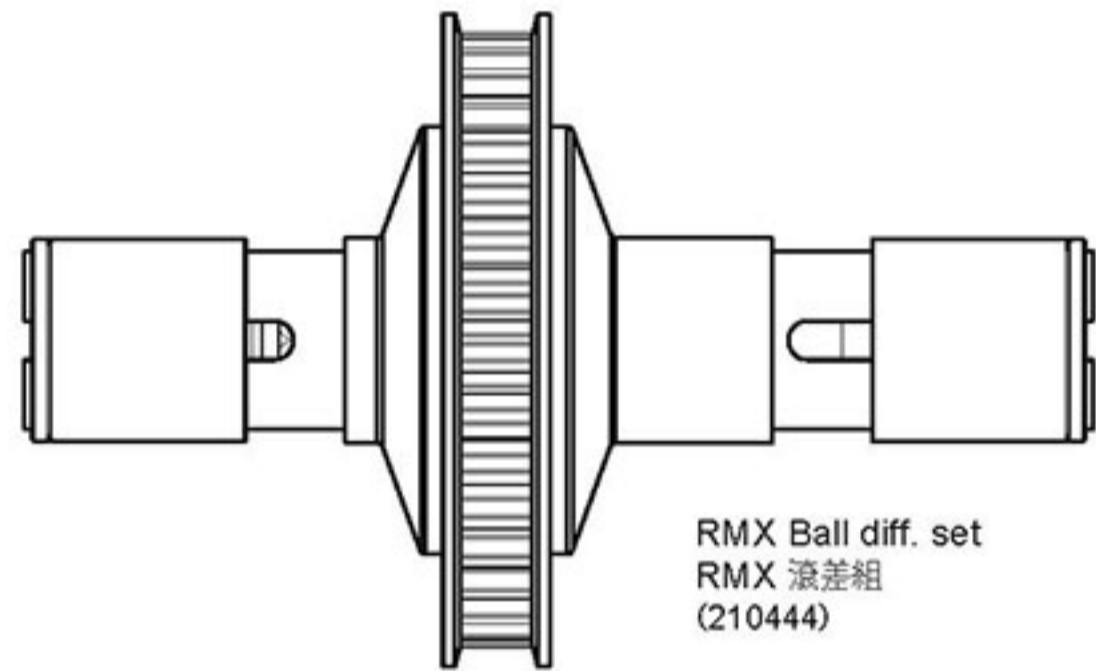
Wheel hub spacer 1.0
輪座墊片 1.0
(820049)



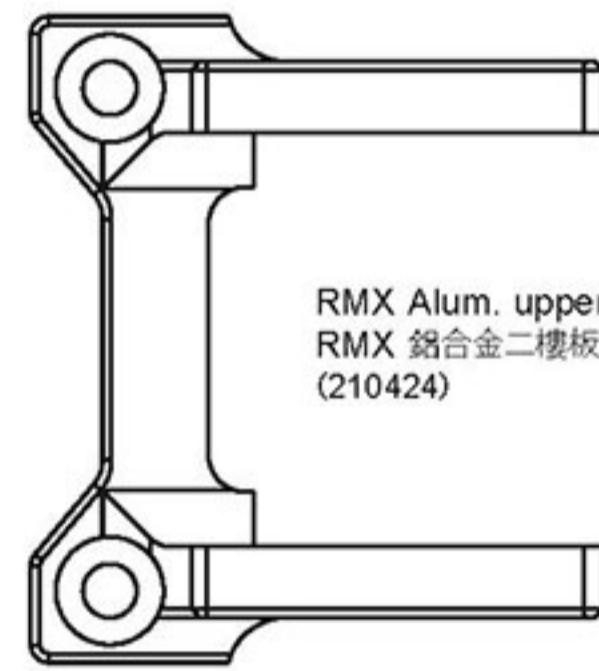
RMX Alum. bulkhead ×2
RMX 鋁合金側板
(210423)



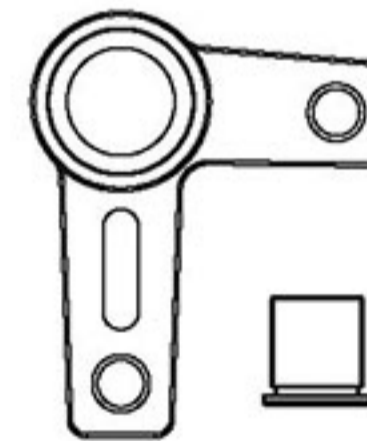
Alum. servo mount
鋁合金伺服機座
(210413)



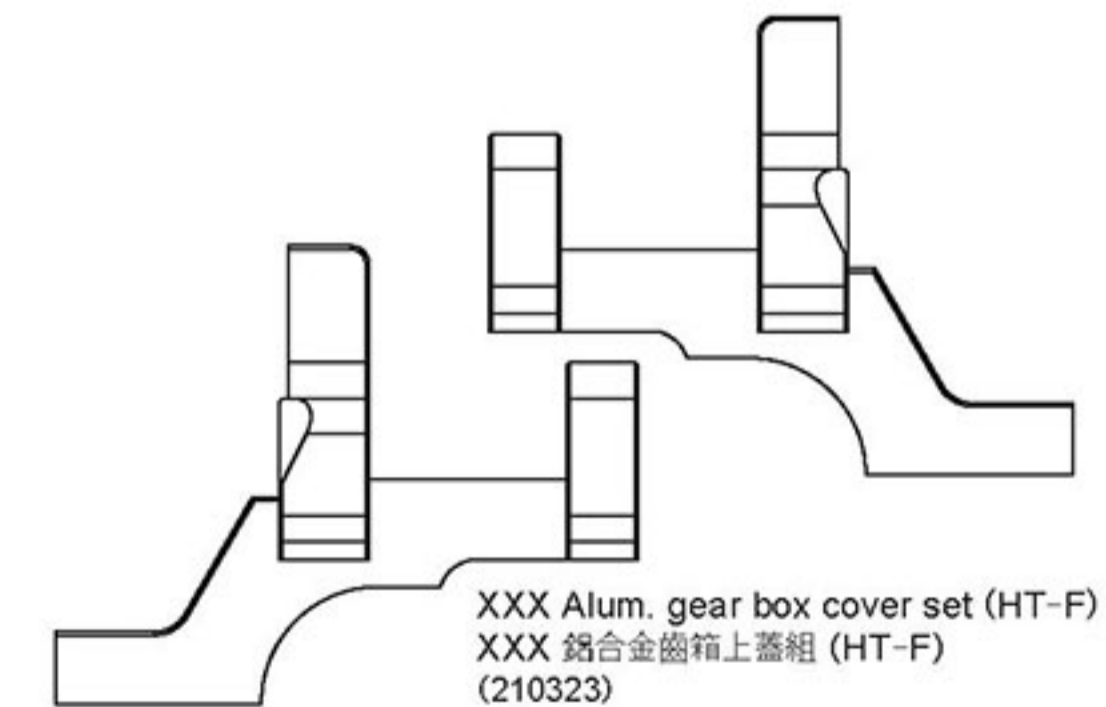
RMX Ball diff. set
RMX 滾差組
(210444)



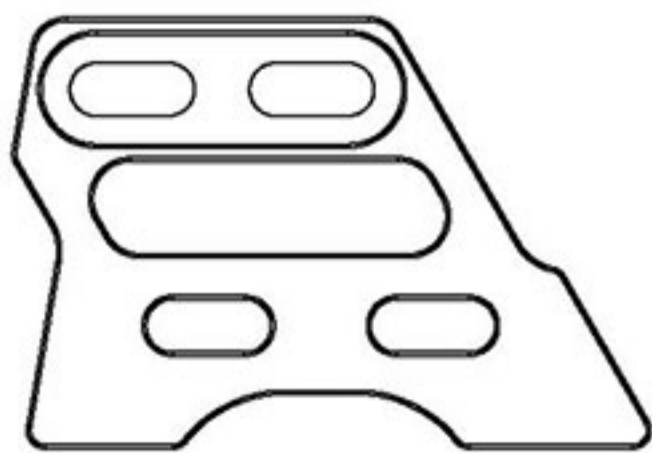
RMX Alum. upper deck connector
RMX 鋁合金二樓板連結架
(210424)



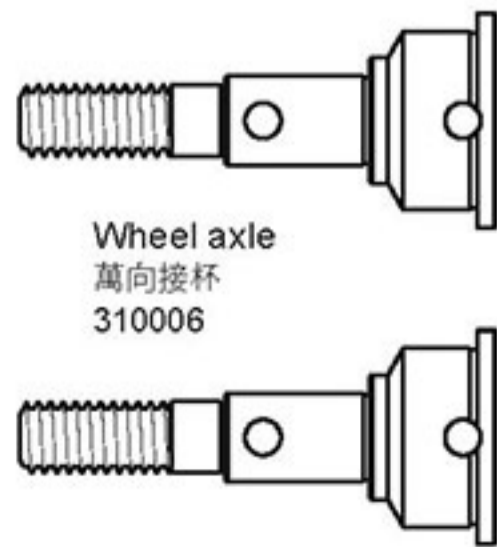
Alum. arm set
鋁合金搖臂組
(820082)



XXX Alum. gear box cover set (HT-F)
XXX 鋁合金齒箱上蓋組 (HT-F)
(210323)



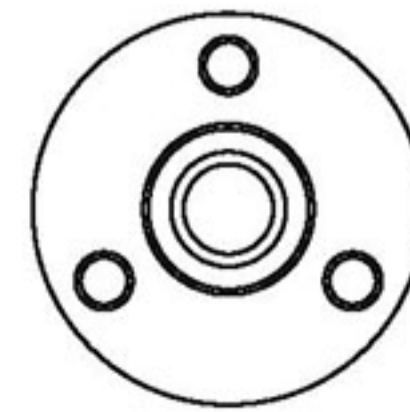
RMX Alum. motor mount
RMX 鋁合金馬達座
(210428)



Wheel axle
萬向接杯
310006



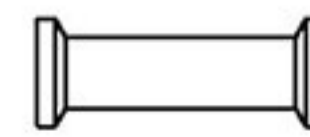
48 Steel CVD great angle universal shaft
鋼製大角度CVD傳動軸 48
820007



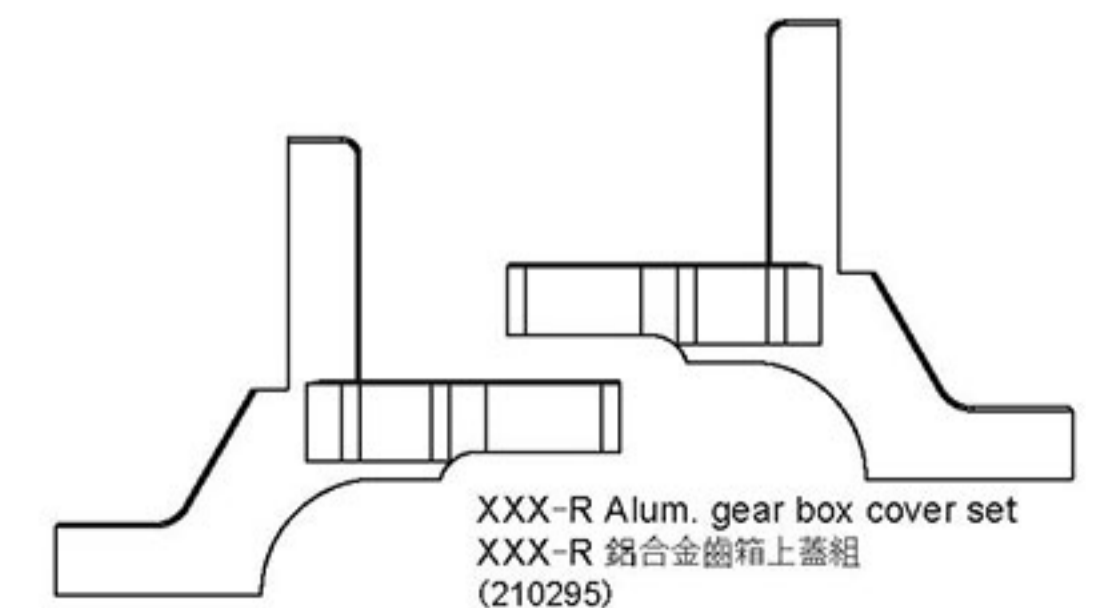
RMX Alum. spur gear holder
RMX 鋁合金齒盤座
(210429)



Alum. belt pulley
鋁合金皮帶壓輪
210430

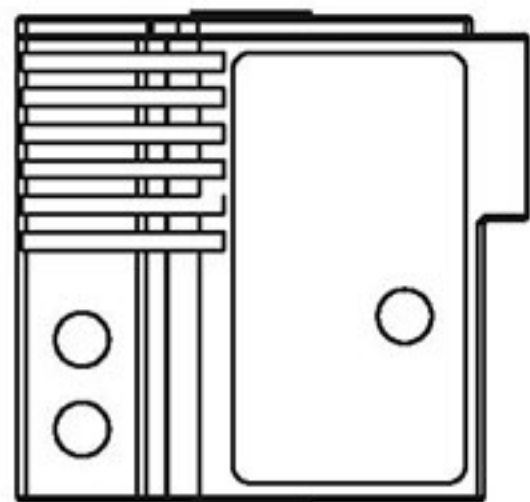


RMX Alum. strengthen post ×2
鋁合金補強柱
(210432)

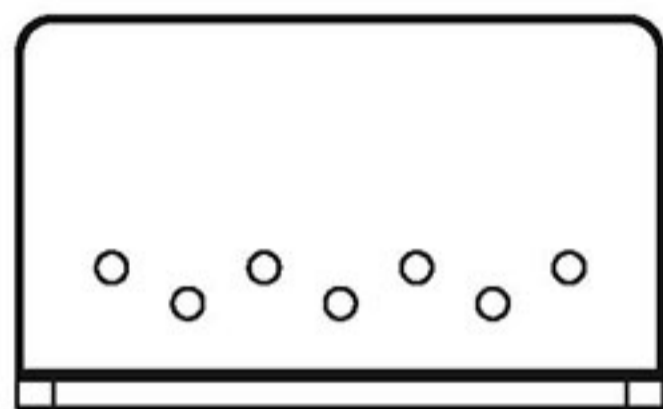


XXX-R Alum. gear box cover set
XXX-R 鋁合金齒箱上蓋組
(210295)

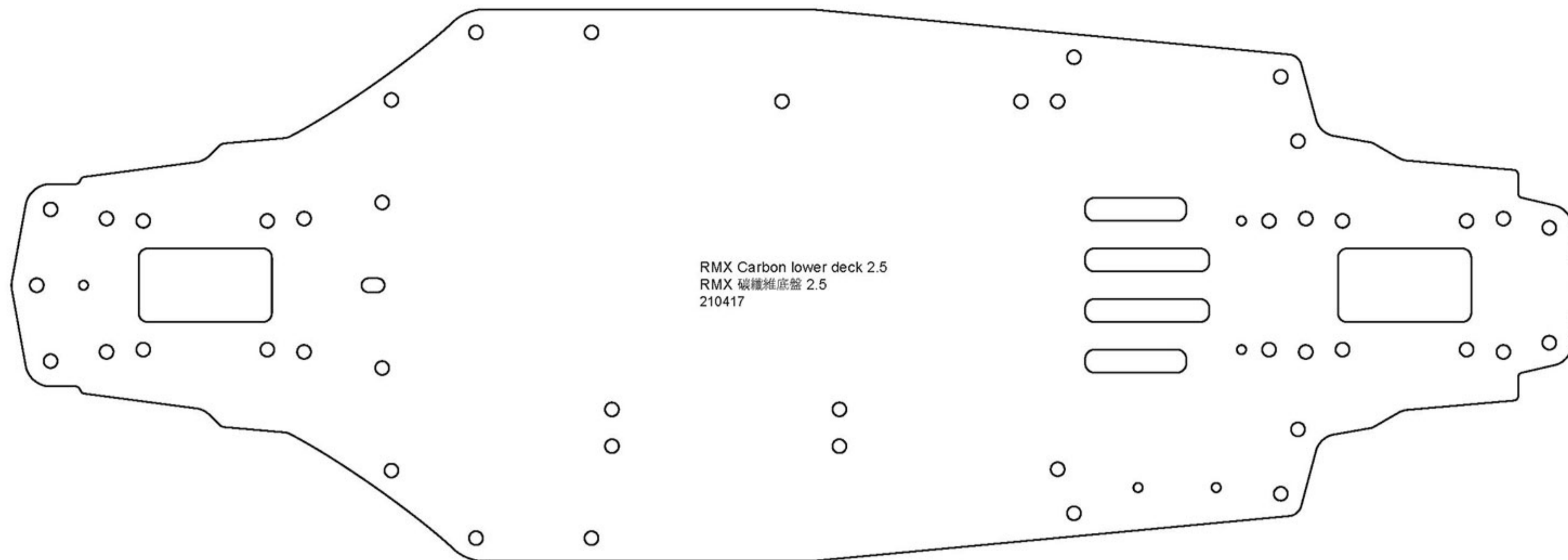
PARTS



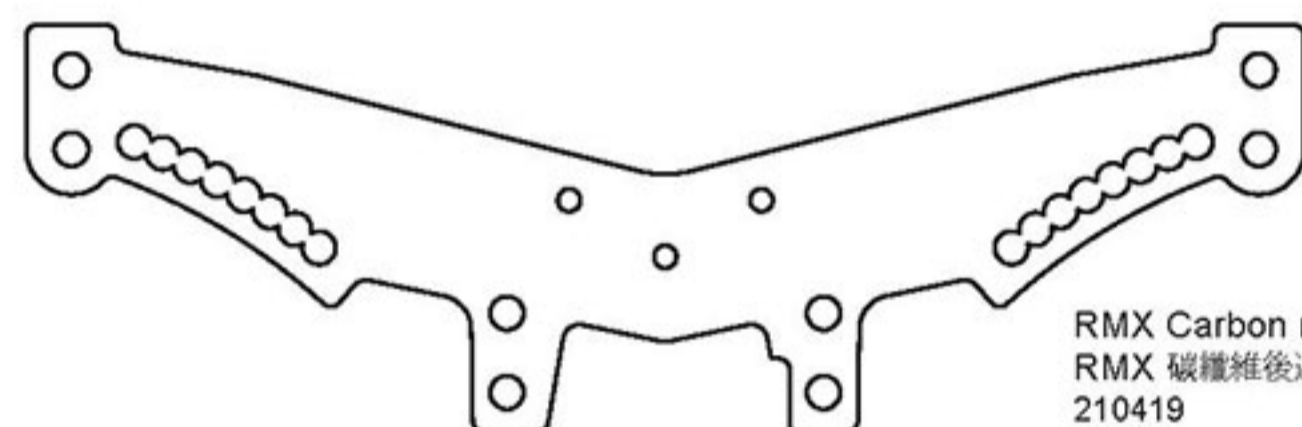
LSD-01 Gyro
壓電陀螺儀
841001



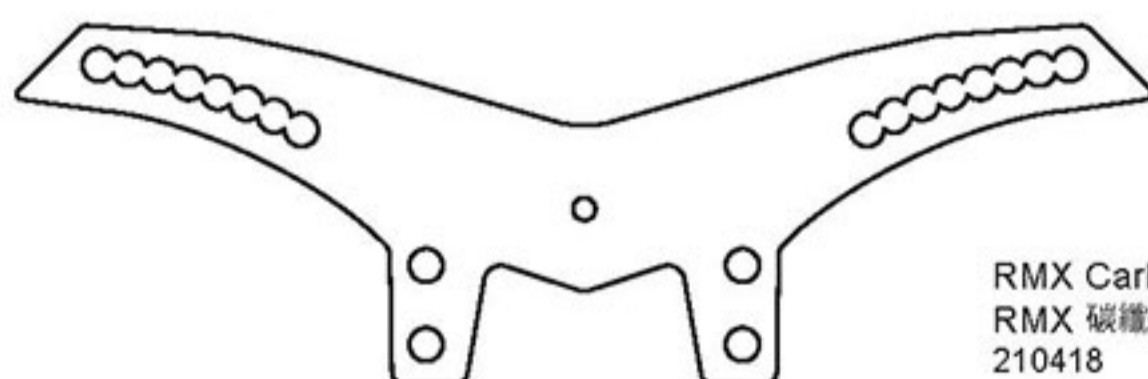
Gyro mount
陀螺儀座
210087



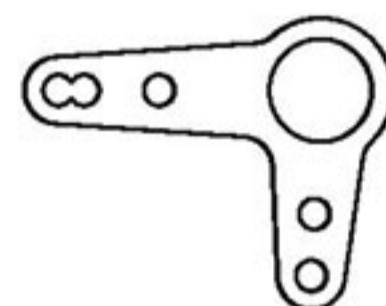
RMX Carbon lower deck 2.5
RMX 碳纖維底盤 2.5
210417



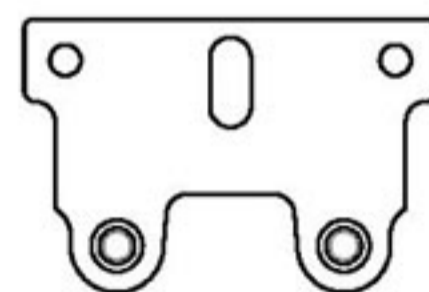
RMX Carbon rear damper stay 3.5
RMX 碳纖維後避震架 3.5
210419



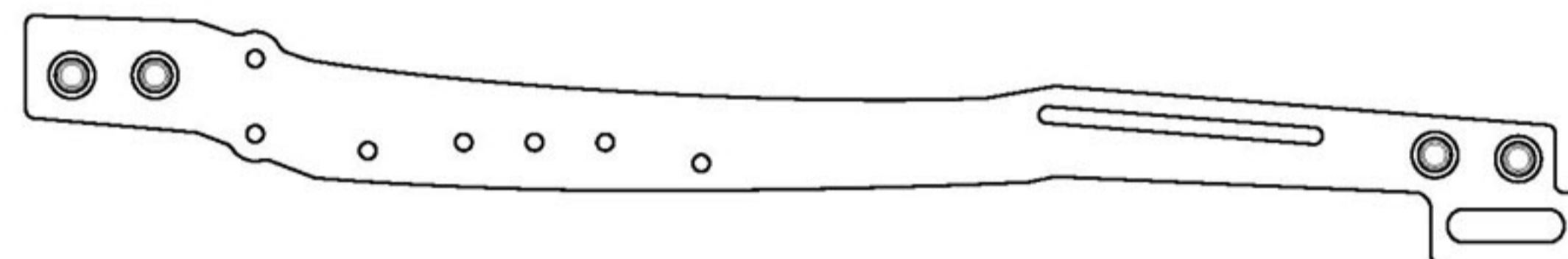
RMX Carbon front damper stay 3.5
RMX 碳纖維前避震架 3.5
210418



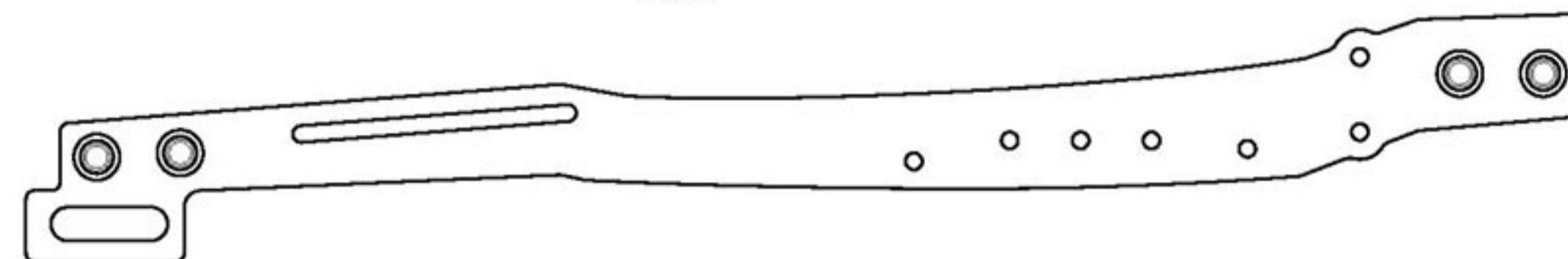
RMX Carbon steering arm extension 2.5
RMX 碳纖維搖臂延伸板 2.5
210422



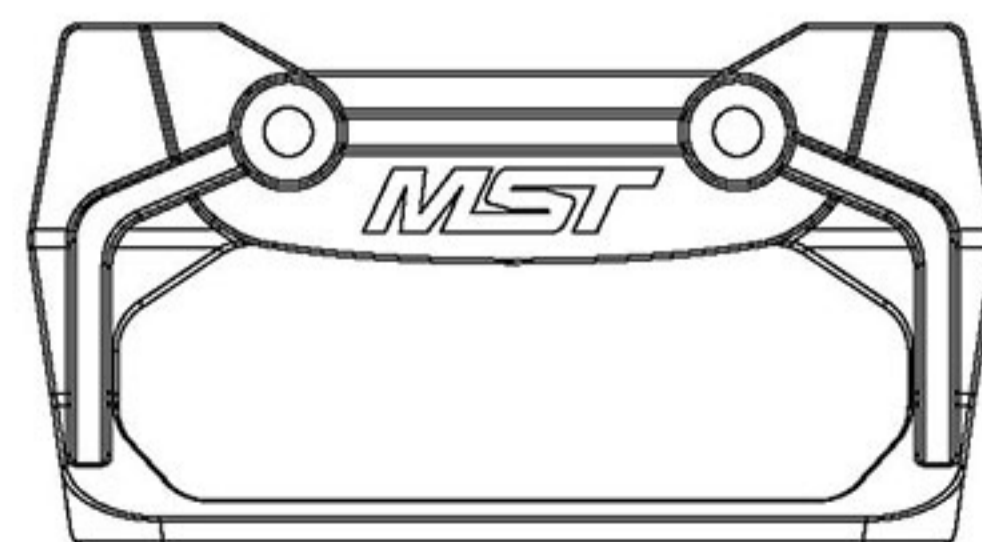
RMX Carbon rail frame 2.5
RMX 碳纖維滑軌架 2.5
210421



RMX Carbon upper deck 3.5
RMX 碳纖維二樓板 3.5
210420



RMX Balancing iron column 20g
RMX 配重鐵柱20g
210443

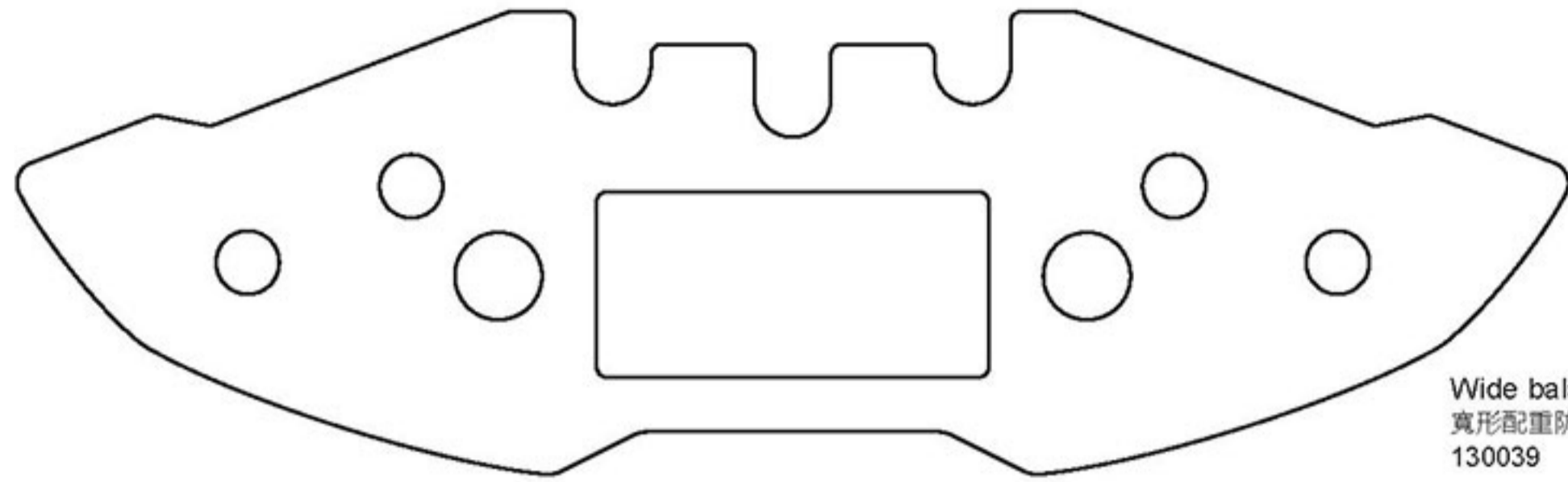


Rear bumper
後防撞板
210379



177 3.5mm Drive belt (Japan)
日製皮帶
414177J

PARTS



Wide balancing bumper sponge
寬形配重防撞泡棉
130039



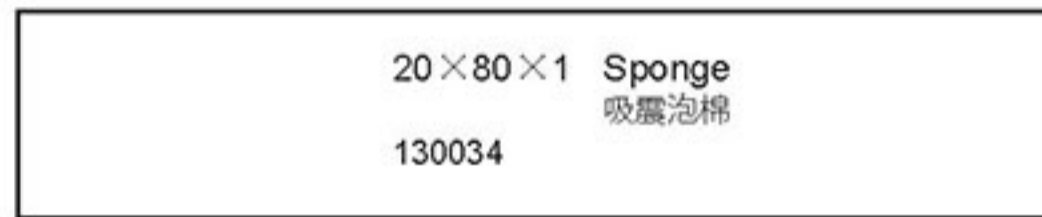
Carbon bumper support L 2.5
碳纖維泡棉壓板 L 2.5
210391



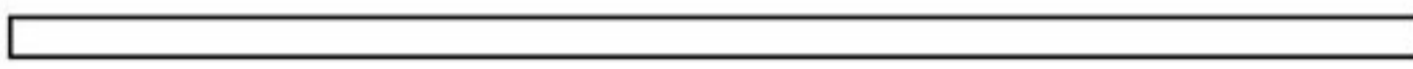
Inner sponge
吸震泡棉
130017



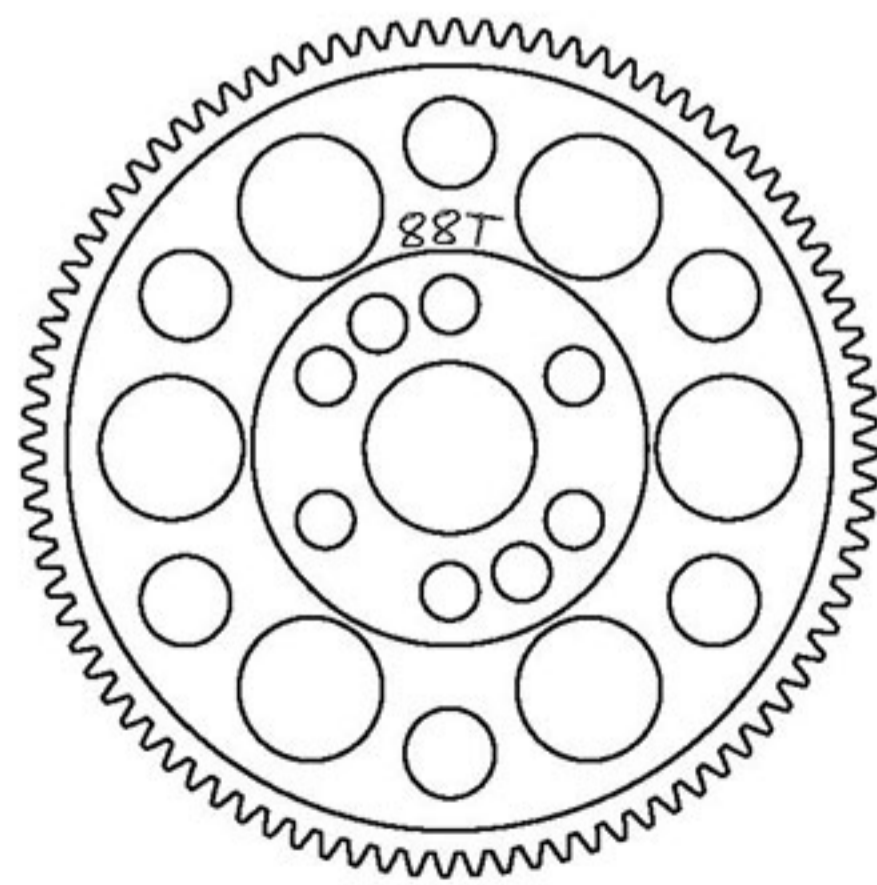
Double sided tape
泡棉雙面膠
130006



20×80×1 Sponge
吸震泡棉
130034



Antenna pipe
天線管
130007

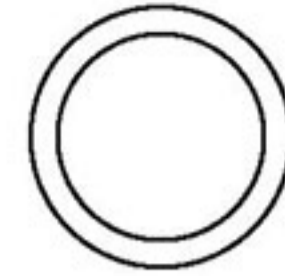


Spur gear 88T-48P
大齒盤 88T-48P
210013

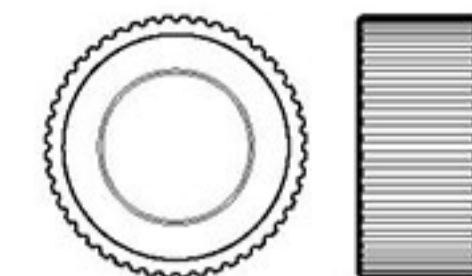
48P GEAR RATIO		
88T	2WD 37T/12T	4WD 37T/18T
25T	10.85	7.24
26T	10.44	6.96
27T	10.05	6.70
28T	9.69	6.46
29T	9.36	6.24
30T	9.04	6.03
31T	8.75	5.84
32T	8.48	5.65
33T	8.22	5.48
34T	7.98	5.32
35T	7.75	5.17
36T	7.54	5.02

64P GEAR RATIO		
116T	2WD 37T/12T	4WD 37T/18T
35T	10.40	6.93
36T	10.11	6.74
37T	9.83	6.56
38T	9.57	6.38
39T	9.33	6.22
40T	9.10	6.06
41T	8.87	5.92
42T	8.66	5.78
43T	8.46	5.64
44T	8.27	5.51
45T	8.09	5.39
46T	7.91	5.27
47T	7.74	5.16
48T	7.58	5.05
49T	7.43	4.95

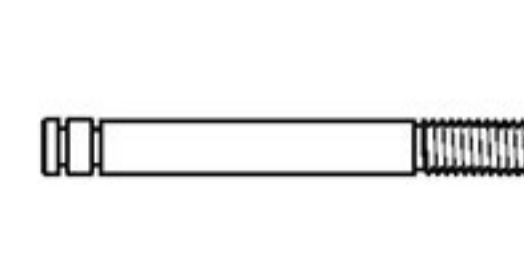
(210115)



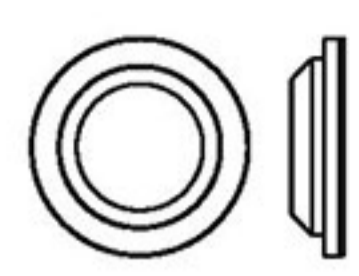
11.5×1.5 O-ring ×4
O環
130002



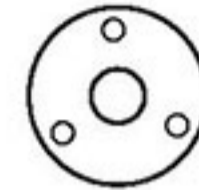
Cylinder cap ×4
避震器上蓋
(310003)



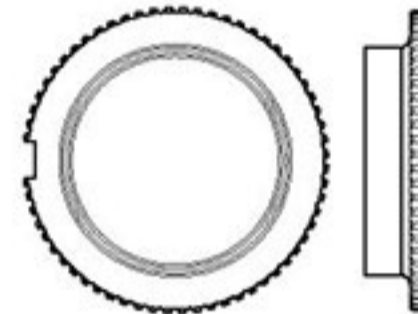
Piston rod ×4
避震軸心
310008



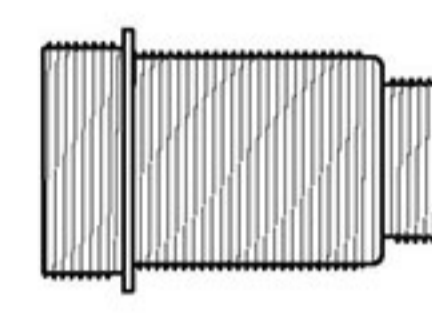
Oil seal ×4
避震器氣室
130004



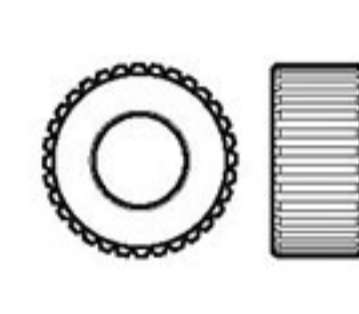
Piston spacer set ×4
避震器活塞墊片組
210235



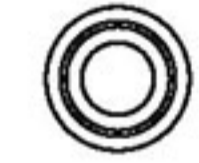
Spring retainer ×4
避震器調整環
(310004)



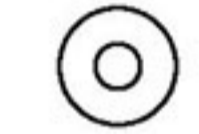
Alum. damper cylinder ×4
鋁合金避震筒身
210151



Rod guide cap ×4
避震器下蓋
(310005)



Piston spacer set ×4
避震器活塞墊片組
210235



Damper O-ring P3 (blue) ×4
避震器O環(藍)
130028



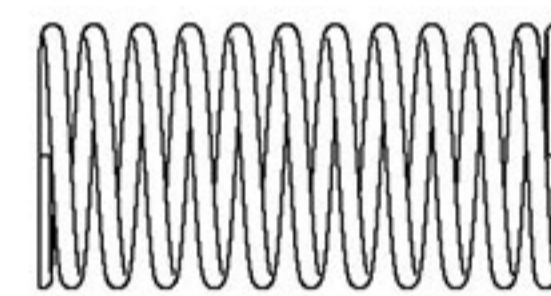
6.5×2 sponge ×4
泡棉
130021



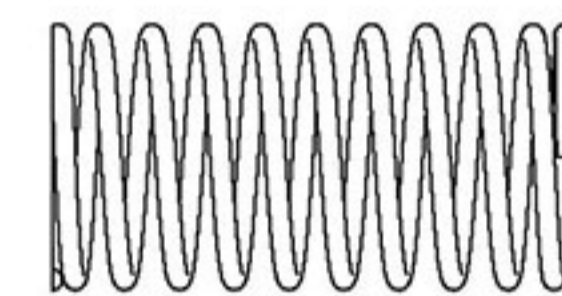
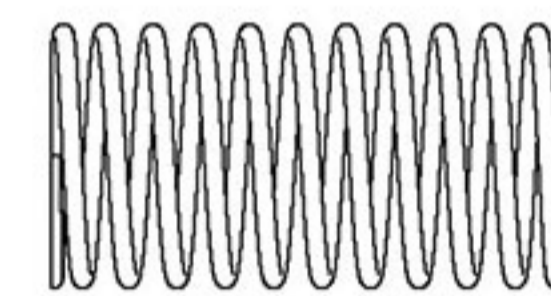
Reinforced damper plastic maintenance set ×4
強化避震器零件包
820055



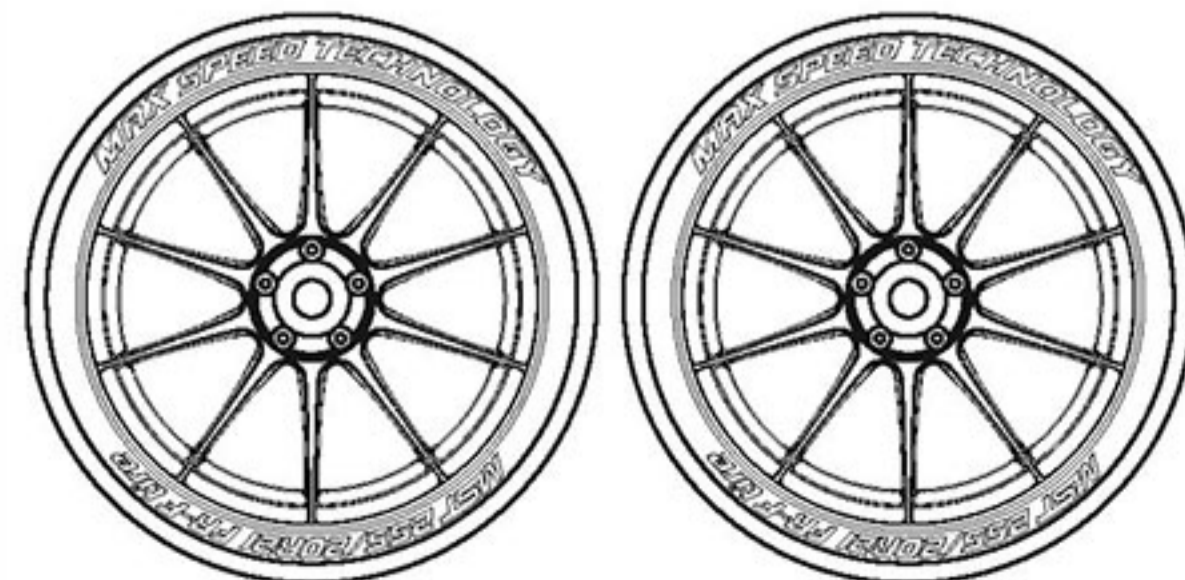
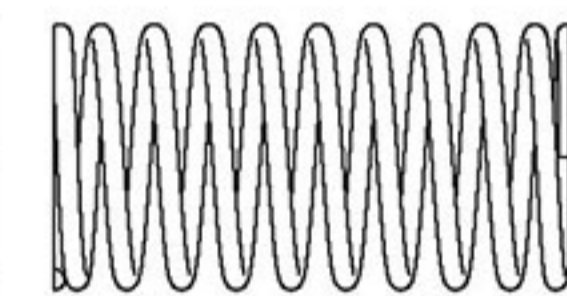
E-clip ×10
E形扣
110013



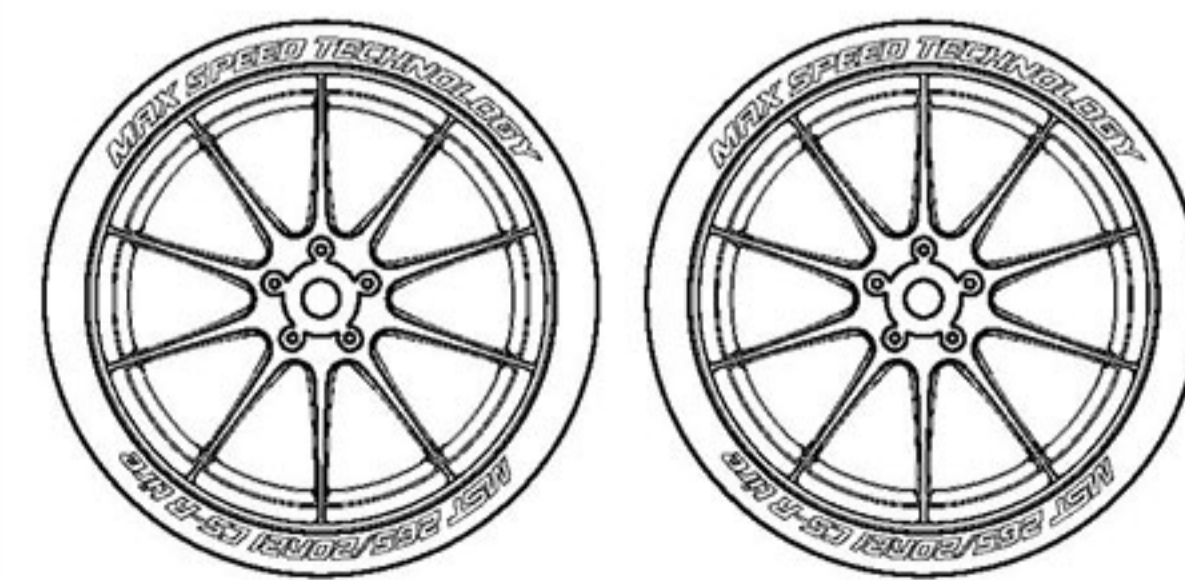
32mm Super coil spring set (hard) (orange-gold)
超軟避震彈簧組(硬)(橘-金)
210437-1



32mm Coil spring (hard) (silver)
避震彈簧(硬)(銀)
210373-1



FR-F



CS-R

PARTS CODE

Please add color remark for () part number. e.g. 210123P for Purple (210123)

Color Remark Purple P

Main parts list with columns for part number, description, and color options.

OPTION PARTS CODE

Optional parts list including items like wheel hubs, pulleys, and suspension mounts.

部品編號

請增加顏色標示在 () 編號 例: 210123P for 紫色 (210123)

Color Remark Purple P

Main parts list with columns for part number, description, and color options.

改裝品編號

Modified parts list including items like aluminum wheels and suspension components.



RMX-D VIP ^{2WD}
1/10 SCALE RC 2WD HIGH PERFORMANCE DRIFT CAR

**EXPLODED
MANUAL**

www.rc-mst.com
[facebook.com/MST.tw]



Max Speed Technology

